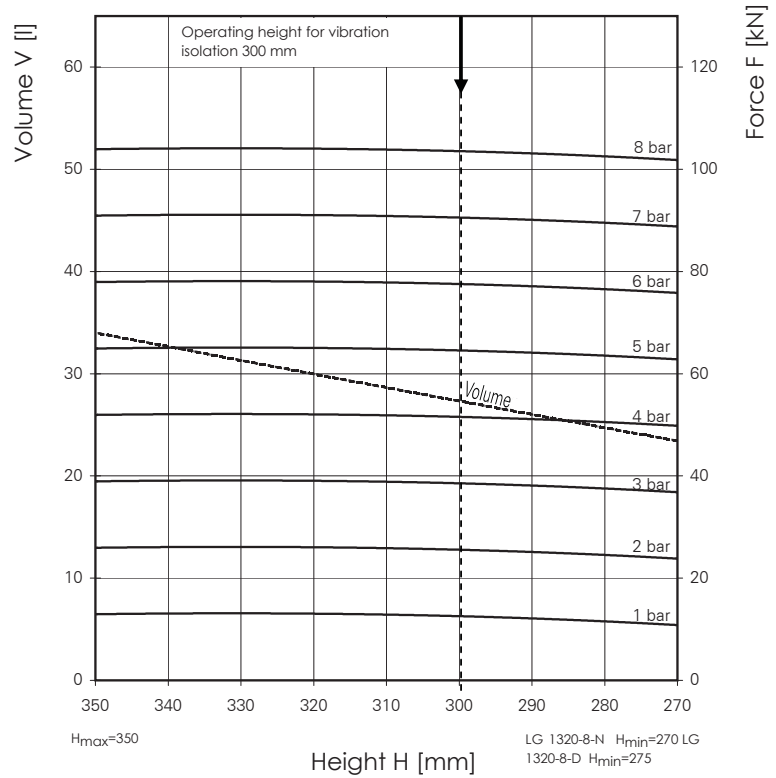
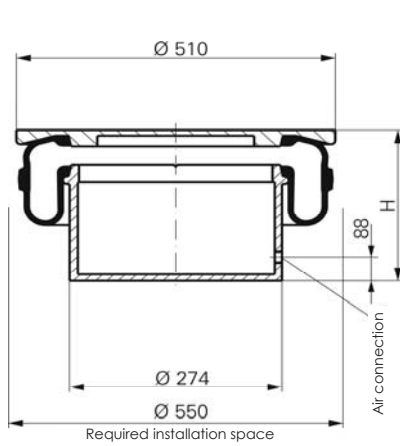


LG 1320-8



Purchase order data

Type	Order No.
Type LG 1320-8-N, with connector G1/4-Ø6	67496
Type LG 1320-8-D with integrated air damping connector G1/4-Ø6	67493

Additional types on request



Service instructions
G1/4: max. 25 Nm

Technical data

Min. pressure	0 bar
Return force to min height	≤ 1100 N
Total weight, version N (version D)	28 (33) kg

Vibration isolation – dynamic characteristic values

Operation height H: 300 mm

Pressure p [bar]	3	4	5	6	7	8	Vol. V [l]
Force (Load) [kN]	39	52	65	78	91	104	27.5
Spring rate [N/mm]	470	565	655	770	860	930	
Natural frequency [Hz]	1.8	1.7	1.6	1.6	1.6	1.5	
Stiffness lateral [N/mm]	210	235	250	260	263	267	
Natural lateral [Hz]	1.2	1.1	1.0	0.9	0.9	0.8	

Pneumatic application – static characteristic

Values Force F [kN]

Pressure p [bar]	3	4	5	6	7	8	Vol. V [l]
Height H [mm]	350	39	52	65	78	91	104
	320	39	52	65	78	91	104
	290	38	51	64	77	90	103