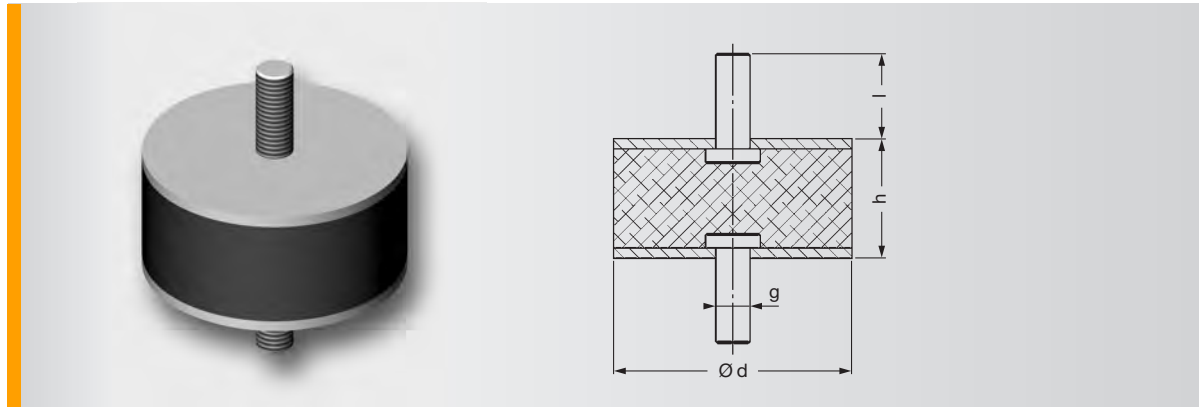


SCHWINGMETALL® Compression Mounts



Compression Mounts A Type 20290a/A - 25328/A

Mould No.	Part No.	Dimensions				Spring Stiffness			Max. Loads			Mass [kg]	Elastomer Hardness [Shore A]
		d [mm]	h [mm]	l [mm]	g	C _x [N/mm]	C _y [N/mm]	C _z [N/mm]	F _x [N]	F _y [N]	F _z [N]		
20290a/A	3911441000	70	35	25	M10	69	69	423	750	750	1950	0.340	40
20290a/A	3911241000	70	35	25	M10	127	127	793	790	790	2750	0.340	55
20290a/A	3911141000	70	35	25	M10	198	198	1231	830	830	3750	0.340	65
20290/A	3911420000	70	45	25	M10	47	47	265	750	750	1900	0.382	40
20290/A	3911220000	70	45	25	M10	86	86	507	790	790	2650	0.382	55
20290/A	3911120000	70	45	25	M10	133	133	793	830	830	3600	0.382	65
20290b/A	3911442000	70	60	25	M10	31	31	162	750	750	1900	0.445	40
20290b/A	3911242000	70	60	25	M10	56	56	315	790	790	2600	0.445	55
20290b/A	3911142000	70	60	25	M10	86	86	497	830	830	3500	0.445	65
25327/A	3911421000	75	40	37	M12	62	62	400	900	900	2200	0.445	40
25327/A	3911221000	75	40	37	M12	112	112	751	1000	1000	3500	0.445	55
25327/A	3911121000	75	40	37	M12	173	173	1166	1050	1050	4500	0.445	65
25336/A	3911422000	75	55	37	M12	39	39	214	900	900	2200	0.518	40
25336/A	3911222000	75	55	37	M12	70	70	412	1000	1000	2950	0.518	55
25336/A	3911122000	75	55	37	M12	108	108	647	1050	1050	4050	0.518	65
25334/A	3911424000	100	40	43	M16	130	130	1087	1500	1500	5200	0.910	40
25334/A	3911224000	100	40	43	M16	241	241	1972	1600	1600	7500	0.910	55
25334/A	3911124000	100	40	43	M16	375	375	3021	1700	1700	10500	0.910	65
25335/A	3911425000	100	55	43	M16	73	73	438	1500	1500	4500	1.080	40
25335/A	3911225000	100	55	43	M16	132	132	838	1600	1600	6200	1.080	55
25335/A	3911125000	100	55	43	M16	204	204	1311	1700	1700	8300	1.080	65
25328/A	3911446000	100	75	43	M16	53	53	279	1500	1500	4000	1.253	40
25328/A	3911246000	100	75	43	M16	96	96	540	1600	1600	5800	1.253	55
25328/A	3911146000	100	75	43	M16	149	149	848	1700	1700	7500	1.253	65