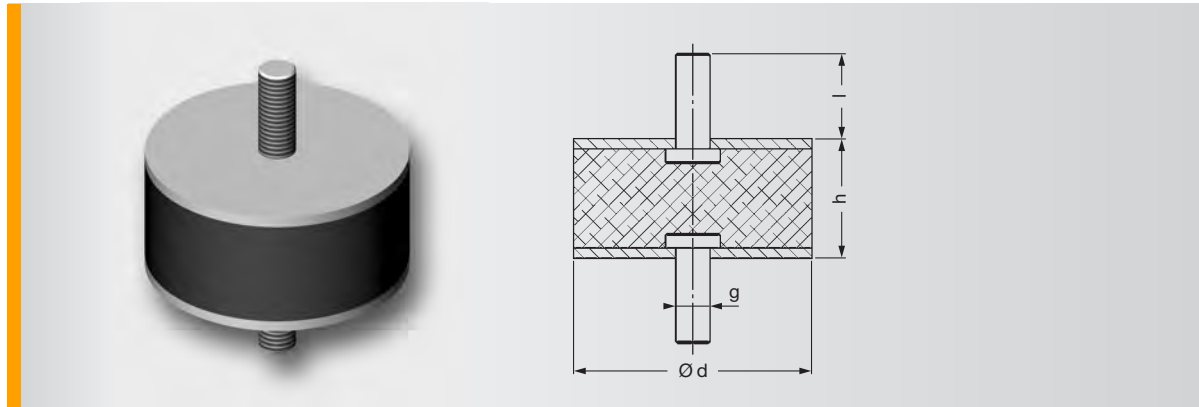


SCHWINGMETALL® Compression Mounts


Compression Mounts A Type 21239/A - 27797/A

Mould No.	Part No.	Dimensions				Spring Stiffness			Max. Loads			Mass [kg]	Elas- tomer Hardness [Shore A]
		d [mm]	h [mm]	l [mm]	g	C _x [N/mm]	C _y [N/mm]	C _z [N/mm]	F _x [N]	F _y [N]	F _z [N]		
21239/A	3911411000	25	30	18.5	M6	7	7	37	100	100	250	0.029	40
21239/A	3911211000	25	30	18.5	M6	13	13	72	110	110	300	0.029	55
21239/A	3911111000	25	30	18.5	M6	20	20	113	120	120	400	0.029	65
25356/A	3911412000	30	20	20.5	M8	20	20	112	150	150	350	0.047	40
25356/A	3911212000	30	20	20.5	M8	36	36	213	160	160	550	0.047	55
25356/A	3911112000	30	20	20.5	M8	56	56	331	170	170	650	0.047	65
31660/A	3911413000	30	30	20.5	M8	10	10	58	150	150	350	0.054	40
31660/A	3911213000	30	30	20.5	M8	17	17	112	160	160	400	0.054	55
31660/A	3911113000	30	30	20.5	M8	26	26	176	170	170	600	0.054	65
20291/A	3911414000	40	30	24.5	M8	19	19	109	250	250	630	0.092	40
20291/A	3911214000	40	30	24.5	M8	35	35	211	260	260	850	0.092	55
20291/A	3911114000	40	30	24.5	M8	54	54	330	270	270	1050	0.092	65
27796/A	3911431000	40	40	24.5	M8	12	12	69	250	250	600	0.104	40
27796/A	3911231000	40	40	24.5	M8	21	21	135	260	260	730	0.104	55
27796/A	3911131000	40	40	24.5	M8	32	32	214	270	270	890	0.104	65
25332/A	3911417000	50	20	28	M10	60	60	467	400	400	1000	0.140	40
25332/A	3911217000	50	20	28	M10	110	110	858	420	420	1450	0.140	55
25332/A	3911117000	50	20	28	M10	170	170	1321	440	440	2300	0.140	65
25333/A	3911418000	50	30	34	M10	34	34	177	400	400	950	0.165	40
25333/A	3911218000	50	30	34	M10	62	62	343	420	420	1400	0.165	55
25333/A	3911118000	50	30	34	M10	95	95	539	440	440	2000	0.165	65
27797/A	3911419000	50	45	34	M10	20	20	104	392	392	950	0.200	40
27797/A	3911219000	50	45	34	M10	35	35	204	410	410	1300	0.200	55
27797/A	3911119000	50	45	34	M10	54	54	322	430	430	1800	0.200	65