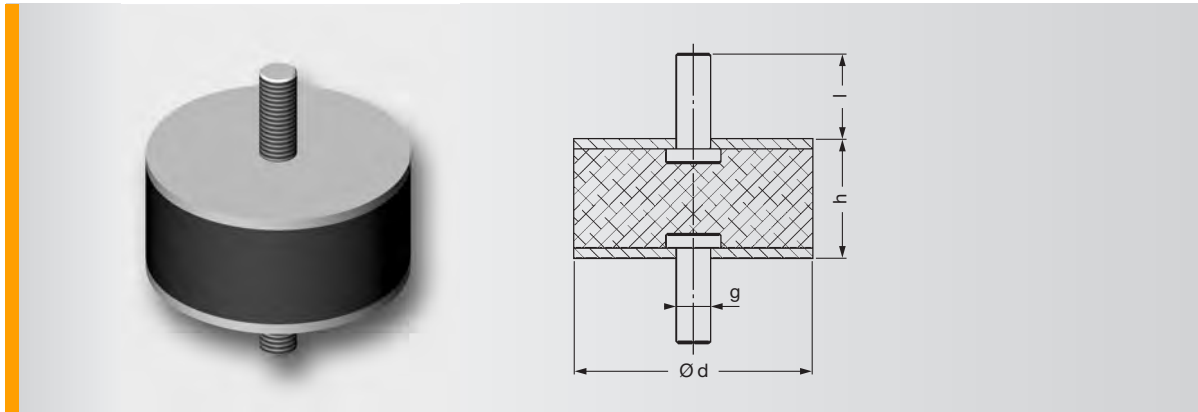


SCHWINGMETALL® Compression Mounts


Compression Mounts A Type 21682/A - 20292/A

Mould No.	Part No.	Dimensions				Spring Stiffness			Max. Loads			Mass [kg]	Elastomer Hardness [Shore A]
		d [mm]	h [mm]	l [mm]	g	C _x [N/mm]	C _y [N/mm]	C _z [N/mm]	F _x [N]	F _y [N]	F _z [N]		
21682/A	3911403000	15	8	10	M4	11	11	92	35	35	90	0.006	40
21682/A	3911203000	15	8	10	M4	19	19	170	40	40	125	0.006	55
21682/A	3911103000	15	8	10	M4	29	29	262	43	43	160	0.006	65
25326/A	3911404000	15	15	13	M4	5	5	32	35	35	90	0.008	40
25326/A	3911204000	15	15	13	M4	9	9	62	40	40	125	0.008	55
25326/A	3911104000	15	15	13	M4	14	14	97	43	43	160	0.008	65
25259/A	3911405000	15	30	16	M4	1	1	12	34	34	90	0.011	40
25259/A	3911205000	15	30	16	M4	3	3	23	36	36	100	0.011	55
25259/A	3911105000	15	30	16	M4	4	4	37	37	37	160	0.011	65
31658/A	3911406000	20	25	19	M6	5	5	27	60	60	150	0.022	40
31658/A	3911206000	20	25	19	M6	9	9	53	65	65	180	0.022	55
31658/A	3911106000	20	25	19	M6	13	13	84	70	70	225	0.022	65
25388/A	3911407000	25	10	18.5	M6	41	41	651	100	100	250	0.019	40
25388/A	3911207000	25	10	18.5	M6	77	77	1125	110	110	400	0.019	55
25388/A	3911107000	25	10	18.5	M6	120	120	1695	120	120	500	0.019	65
20292a/A	3911408000	25	15	18.5	M6	22	22	149	100	100	250	0.022	40
20292a/A	3911208000	25	15	18.5	M6	41	41	274	110	110	400	0.022	55
20292a/A	3911108000	25	15	18.5	M6	64	64	423	120	120	420	0.022	65
20292/A	3911410000	25	20	18.5	M6	13	13	65	100	100	250	0.025	40
20292/A	3911210000	25	20	18.5	M6	24	24	126	110	110	350	0.025	55
20292/A	3911110000	25	20	18.5	M6	37	37	198	120	120	370	0.025	65