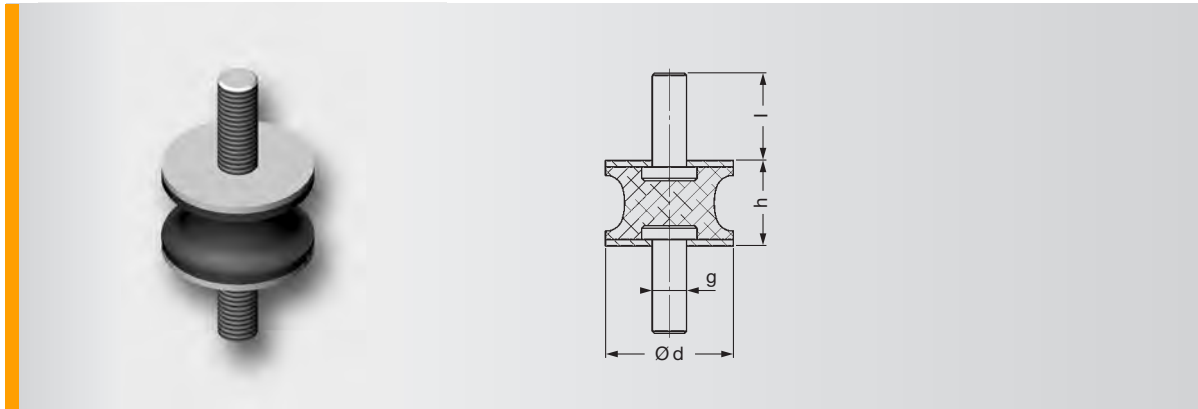


SCHWINGMETALL® Compression Mounts



Compression Mounts AK Type 58302 - 58238

Mould No.	Part No.	Dimensions				Spring Stiffness			Max. Loads			Mass Piece [kg]	Elastomer Hardness [Shore A]
		d [mm]	h [mm]	l [mm]	g	C _x [N/mm]	C _y [N/mm]	C _z [N/mm]	F _x [N]	F _y [N]	F _z [N]		
58302	3916408000	20	15	19.0	M6	11	11	48	350	350	290	0.017	40
58302	3916208000	20	15	19.0	M6	19	19	99	50	50	320	0.017	55
58302	3916108000	20	15	19.0	M6	30	30	154	60	60	420	0.017	65
58236	3916416000	30	20	20.5	M8	13	13	92	60	60	580	0.042	40
58236	3916216000	30	20	20.5	M8	23	23	180	90	90	720	0.042	55
58236	3916116000	30	20	20.5	M8	36	36	275	105	105	900	0.042	65
58237	3916424000	50	30	34.0	M10	18	18	134	120	120	1450	0.146	40
58237	3916224000	50	30	34.0	M10	32	32	272	250	250	1800	0.146	55
58237	3916124000	50	30	34.0	M10	49	49	406	270	270	2200	0.146	65
58238	3916430000	75	40	37.0	M12	33	33	295	350	350	3900	0.386	40
58238	3916230000	75	40	37.0	M12	59	59	530	600	600	4500	0.386	55
58238	3916130000	75	40	37.0	M12	91	91	834	650	650	5000	0.386	65