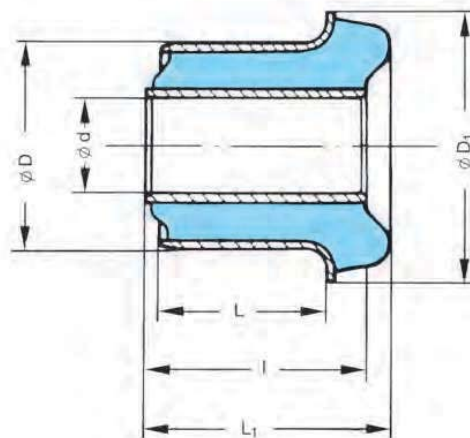


MEGI® Bushes

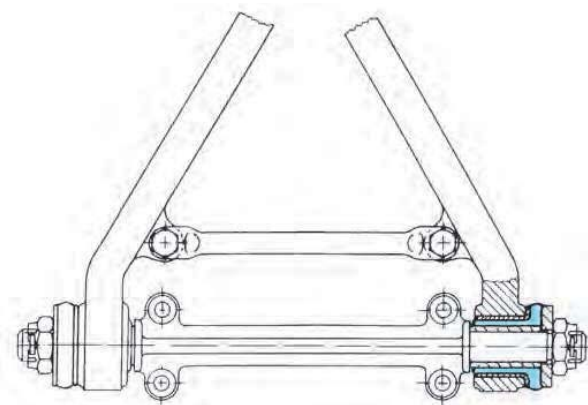
Megi AS bushes

Megi AS bushes are produced using the same production methods as Megi HL bushes and therefore have the same superior quality of long life and load capacity. In addition, because of the special design of the outer metal collar, they are able to absorb higher thrust forces without over-stressing the rubber. Because of this property, they are especially suitable for use where high axial forces occur in joints, e.g. in triangular steering linkages (see illustration). No generally valid statements can be made regarding the spring constants for axial loads, because these depend on assembly conditions, especially the magnitude of the initial axial tension.

The maximum continuous and peak loads are given in the table. They apply for highly resilient, particularly durable types of rubbers with a Shore A hardness of approx. 50°.



Dimensions						Technical data						Number in package Part No. package		
Outer diameter	Inner diameter	Flange diameter	Length of inner tube	Length of flanged outer tube	Total length of bush	Radial load		Axial load						
						Max. stat. radial load	Radial spring constant	Max. stat. torsional angle	Max. stat. torque	Torsional spring constant	Max. peak torsional angle			Max. peak torque
D mm	d mm	D ₁ mm	l mm	L mm	L ₁ mm	F _r N	C _r N/mm	φ degree	M _d Nm	C _φ Nm/degree	φ max degree	M _{dmax} Nm		
30 ^{+0,2}	14 ^{+0,1}	41	34 ^{±0,25}	20 ^{+0,2}	36	690	1373	13	7,5	0,6	26	15,0	735 048	-
40 ^{+0,1}	24 ^{+0,1}	58	42 ^{±0,1}	30 ^{-0,5}	45,5	3430	9810	7	24,0	3,4	14	48,0	735 049	20



Other dimensions and materials are available on request

