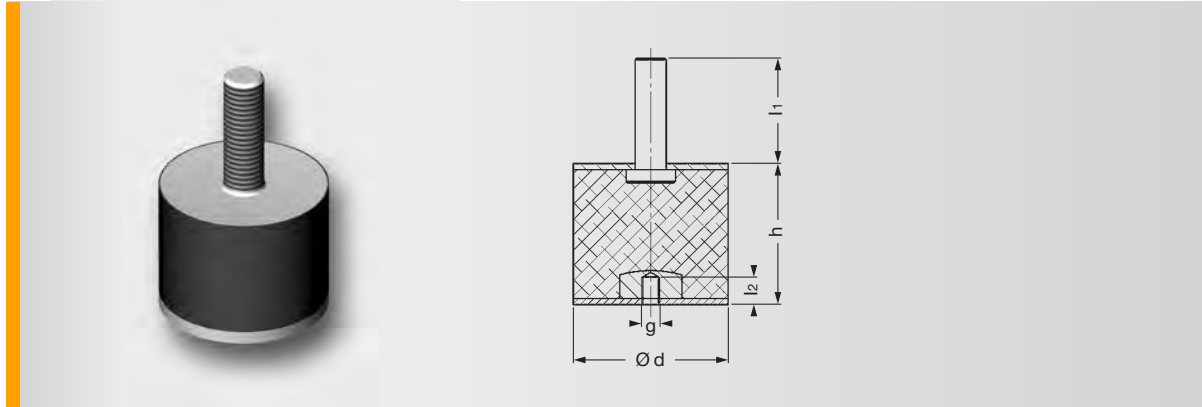


SCHWINGMETALL® Compression Mounts


Compression Mounts B Type 20290/B - 25328/B

| Mould No. | Part No. | Dimensions | | | | | Spring Stiffness | | | Max. Loads | | | Mass Piece [kg] | Elastomer Hardness [Shore A] |
|-----------|------------|------------|-----------|------------------------|------------------------|-----|--------------------------|--------------------------|--------------------------|-----------------------|-----------------------|-----------------------|-----------------------|------------------------------------|
| | | d [mm] | h [mm] | l ₁ [mm] | l ₂ [mm] | g | C _x [N/mm] | C _y [N/mm] | C _z [N/mm] | F _x [N] | F _y [N] | F _z [N] | | |
| 20290/B | 3912420000 | 70 | 45 | 25.0 | 8.8 | M10 | 47 | 47 | 265 | 750 | 750 | 1900 | 0.347 | 40 |
| 20290/B | 3912220000 | 70 | 45 | 25.0 | 8.8 | M10 | 86 | 86 | 507 | 790 | 790 | 2650 | 0.347 | 55 |
| 20290/B | 3912120000 | 70 | 45 | 25.0 | 8.8 | M10 | 133 | 133 | 793 | 830 | 830 | 3600 | 0.347 | 65 |
| 25327/B | 3912421000 | 75 | 40 | 37.0 | 11.5 | M12 | 62 | 62 | 400 | 900 | 900 | 2200 | 0.419 | 40 |
| 25327/B | 3912221000 | 75 | 40 | 37.0 | 11.5 | M12 | 112 | 112 | 751 | 1000 | 1000 | 3500 | 0.419 | 55 |
| 25327/B | 3912121000 | 75 | 40 | 37.0 | 11.5 | M12 | 173 | 173 | 1166 | 1050 | 1050 | 4500 | 0.419 | 65 |
| 25336/B | 3912422000 | 75 | 55 | 37.0 | 11.5 | M12 | 46 | 46 | 242 | 900 | 900 | 2200 | 0.487 | 40 |
| 25336/B | 3912222000 | 75 | 55 | 37.0 | 11.5 | M12 | 84 | 84 | 461 | 1000 | 1000 | 2950 | 0.487 | 55 |
| 25336/B | 3912122000 | 75 | 55 | 37.0 | 11.5 | M12 | 130 | 130 | 720 | 1050 | 1050 | 4050 | 0.487 | 65 |
| 25334/B | 3912424000 | 100 | 40 | 43.0 | 17.0 | M16 | 156 | 156 | 1359 | 1500 | 1500 | 5200 | 0.889 | 40 |
| 25334/B | 3912224000 | 100 | 40 | 43.0 | 17.0 | M16 | 290 | 290 | 2427 | 1600 | 1600 | 7500 | 0.889 | 55 |
| 25334/B | 3912124000 | 100 | 40 | 43.0 | 17.0 | M16 | 453 | 453 | 3695 | 1650 | 1650 | 10500 | 0.889 | 65 |
| 25335/B | 3912425000 | 100 | 55 | 43.0 | 17.0 | M16 | 86 | 86 | 496 | 1500 | 1500 | 4500 | 1.026 | 40 |
| 25335/B | 3912225000 | 100 | 55 | 43.0 | 17.0 | M16 | 158 | 158 | 937 | 1600 | 1600 | 6200 | 1.026 | 55 |
| 25335/B | 3912125000 | 100 | 55 | 43.0 | 17.0 | M16 | 246 | 246 | 1458 | 1700 | 1700 | 8300 | 1.026 | 65 |
| 25328/B | 3912446000 | 100 | 75 | 43.0 | 17.0 | M16 | 53 | 53 | 279 | 1500 | 1500 | 4000 | 1.200 | 40 |
| 25328/B | 3912246000 | 100 | 75 | 43.0 | 17.0 | M16 | 96 | 96 | 540 | 1600 | 1600 | 5800 | 1.200 | 55 |
| 25328/B | 3912146000 | 100 | 75 | 43.0 | 17.0 | M16 | 149 | 149 | 848 | 1700 | 1700 | 7500 | 1.200 | 65 |