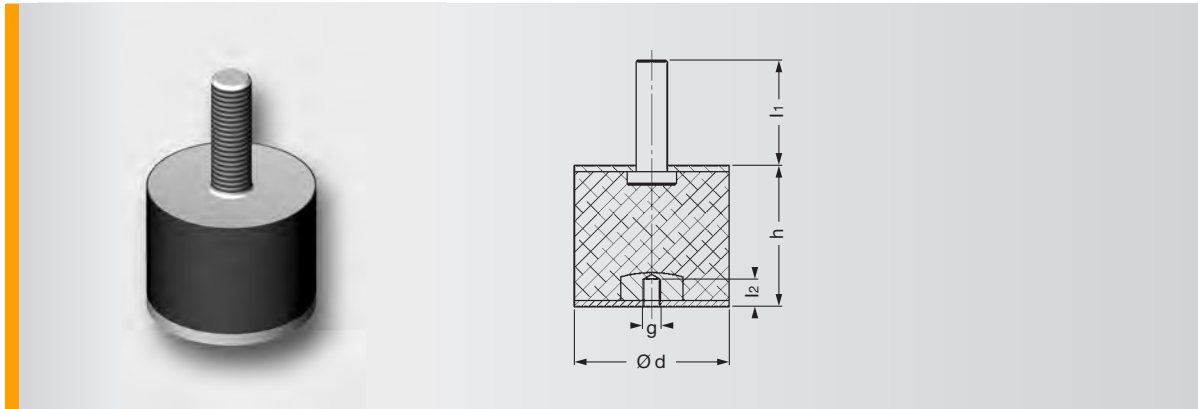


# SCHWINGMETALL® Compression Mounts



## Compression Mounts B Type 31660/B - 27797/B

Mould No.	Part No.	Dimensions					Spring Stiffness			Max. Loads			Mass Piece [kg]	Elastomer Hardness [Shore A]
		d [mm]	h [mm]	l <sub>1</sub> [mm]	l <sub>2</sub> [mm]	g	C <sub>x</sub> [N/mm]	C <sub>y</sub> [N/mm]	C <sub>z</sub> [N/mm]	F <sub>x</sub> [N]	F <sub>y</sub> [N]	F <sub>z</sub> [N]		
31660/B	3912413000	30	30	30.0	7.0	M8	11	11	66	150	150	350	0.052	40
31660/B	3912213000	30	30	30.0	7.0	M8	20	20	126	160	160	420	0.052	55
31660/B	3912113000	30	30	30.0	7.0	M8	31	31	196	170	170	600	0.052	65
20291/B	3912414000	40	30	24.5	7.0	M8	25	25	140	250	250	630	0.084	40
20291/B	3912214000	40	30	24.5	7.0	M8	46	46	262	260	260	850	0.084	55
20291/B	3912114000	40	30	24.5	7.0	M8	71	71	406	270	270	1050	0.084	65
27796/B	3912426000	40	40	24.5	7.0	M8	13	13	79	250	250	600	0.096	40
27796/B	3912226000	40	40	24.5	7.0	M8	23	23	151	260	260	730	0.096	55
27796/B	3912126000	40	40	24.5	7.0	M8	36	36	238	270	270	890	0.096	65
25332/B	3912417000	50	20	28.0	8.8	M10	71	71	938	400	400	1000	0.122	40
25332/B	3912217000	50	20	28.0	8.8	M10	132	132	1645	420	420	1450	0.122	55
25332/B	3912117000	50	20	28.0	8.8	M10	206	206	2486	440	440	2300	0.122	65
25333/B	3912418000	50	30	34.0	8.8	M10	40	40	201	400	400	950	0.150	40
25333/B	3912218000	50	30	34.0	8.8	M10	74	74	384	420	420	1400	0.150	55
25333/B	3912118000	50	30	34.0	8.8	M10	115	115	600	440	440	1800	0.150	65
27797/B	3912419000	50	45	34.0	8.8	M10	20	20	104	390	390	950	0.180	40
27797/B	3912219000	50	45	34.0	8.8	M10	35	35	204	410	410	1300	0.180	55
27797/B	3912119000	50	45	34.0	8.8	M10	54	54	322	430	430	1800	0.180	65