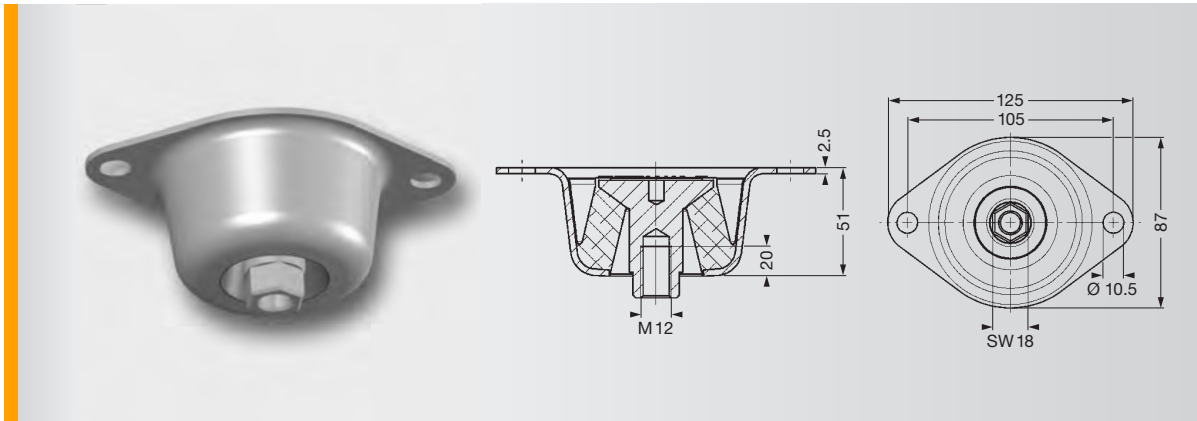


SCHWINGMETALL® Special Mounts



Bell Mounts 210871

Mould No.	Part No.	Spring Stiffness			Max. Loads			Mass Piece [kg]	Elastomer Hardness [Shore A]
		C_x [N/mm]	C_y [N/mm]	C_z [N/mm]	F_x [N]	F_y [N]	F_z [N]		
210871	4000009125	40	40	205	80	80	1700	0.5	40
210871	4000009126	55	55	285	110	110	2350	0.5	55
210871	4000009127	85	85	430	170	170	3000	0.5	65