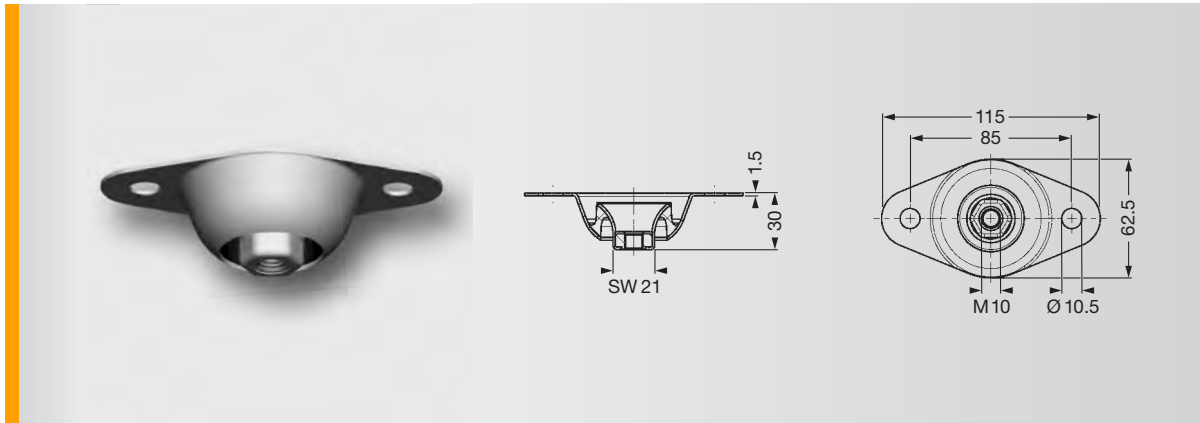


SCHWINGMETALL® Special Mounts



Bell Mounts 27994

Mould No.	Part No.	Spring Stiffness			Max. Loads			Mass Piece [kg]	Elas- tomer Hardness [Shore A]
		C_x [N/mm]	C_y [N/mm]	C_z [N/mm]	F_x [N]	F_y [N]	F_z [N]		
27994	3956404000	24	24	90	48	48	250	0.11	40
27994	3956204000	47	47	165	95	95	500	0.11	55
27994	3956104000	74	74	235	150	150	700	0.11	65