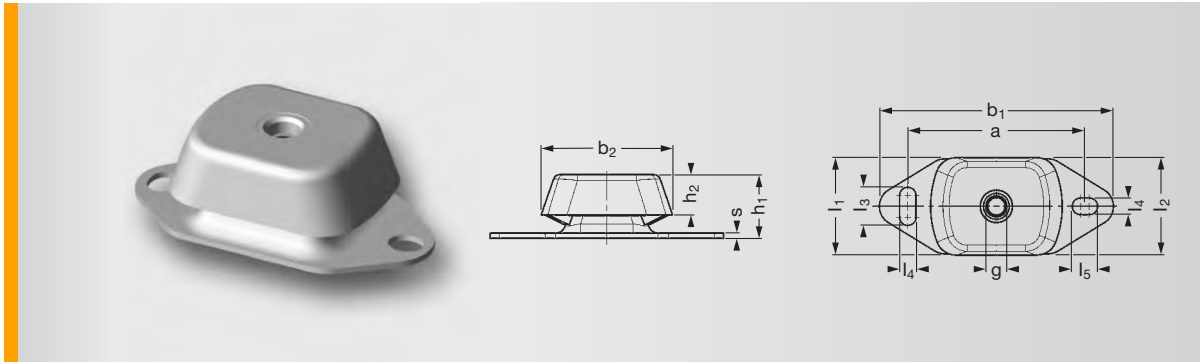


# SCHWINGMETALL® Dome Mounts



## Dome Mounts C Series 210620 - 210622

Mould No.	Part No.	Dimensions											
		a [mm]	b1 [mm]	b2 [mm]	g [mm]	h1 [mm]	h2 [mm]	l1 [mm]	l2 [mm]	l3 [mm]	l4 [mm]	l5 [mm]	s [mm]
210620	4000004903	100	120	80.0	M12	39	24.0	60	60	14	11	14	2.5
210620	4000004904	100	120	80.0	M12	39	24.0	60	60	14	11	14	2.5
210620	4000004905	100	120	80.0	M12	39	24.0	60	60	14	11	14	2.5
210621	4000004906	140	185	104.0	M16	50	31.5	75	77	30	13	20	4.0
210621	4000004907	140	185	104.0	M16	50	31.5	75	77	30	13	20	4.0
210621	4000004908	140	185	104.0	M16	50	31.5	75	77	30	13	20	4.0
210622	4000004909	182	228	131.5	M20	70	50.0	114	114	34	18	26	5.0
210622	4000004920	182	228	131.5	M20	70	50.0	114	114	34	18	26	5.0
210622	4000004921	182	228	131.5	M20	70	50.0	114	114	34	18	26	5.0

Mould No.	Part No.	Spring Stiffness			Max. Loads			Mass [kg]	Elastomer Hardness [Shore A]
		C <sub>x</sub> [N/mm]	C <sub>y</sub> [N/mm]	C <sub>z</sub> [N/mm]	F <sub>x</sub> [N]	F <sub>y</sub> [N]	F <sub>z</sub> [N]		
210620	4000004903	250	180	90	290	90	300	0.40	45
210620	4000004904	320	210	120	310	120	400	0.40	55
210620	4000004905	480	330	170	500	180	600	0.40	65
210621	4000004906	430	120	220	780	140	1100	0.95	45
210621	4000004907	680	240	320	1200	160	1600	0.95	55
210621	4000004908	800	530	445	1500	260	2200	0.95	65
210622	4000004909	940	370	620	2700	380	3600	2.25	45
210622	4000004920	1100	630	820	3300	680	5000	2.25	55
210622	4000004921	1250	810	1150	3800	800	5900	2.25	65

### ► Mount with integrated stop disk

Resp. Level Adjustment Spindles