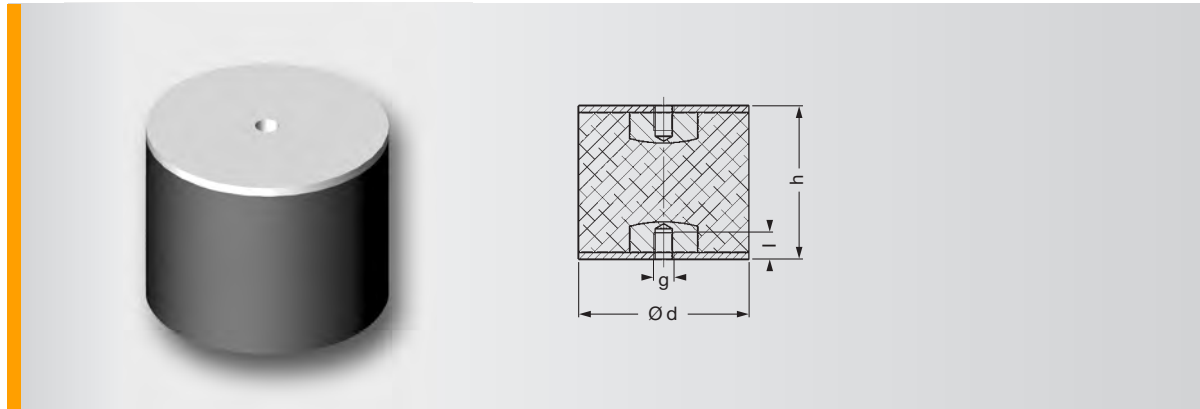


SCHWINGMETALL® Compression Mounts



Compression Mounts C Type 20291/C - 25336/C													
Mould No.	Part No.	Dimensions				Spring Stiffness			Max. Loads			Mass Piece [kg]	Elastomer Hardness [Shore A]
		d [mm]	h [mm]	l [mm]	g	C _x [N/mm]	C _y [N/mm]	C _z [N/mm]	F _x [N]	F _y [N]	F _z [N]		
20291/C	3913414000	40	30	7.0	M8	29	29	189	250	250	630	0.072	40
20291/C	3913214000	40	30	7.0	M8	54	54	346	260	260	850	0.072	55
20291/C	3913114000	40	30	7.0	M8	83	83	533	270	270	1050	0.072	65
27796/C	3913415000	40	40	7.0	M8	14	14	89	250	250	600	0.090	40
27796/C	3913215000	40	40	7.0	M8	25	25	168	260	260	730	0.090	55
27796/C	3913115000	40	40	7.0	M8	39	39	263	270	270	890	0.090	65
27797/C	3913419000	50	45	8.8	M10	23	23	119	390	390	950	0.169	40
27797/C	3913219000	50	45	8.8	M10	42	42	228	410	410	1300	0.169	55
27797/C	3913119000	50	45	8.8	M10	65	65	358	430	430	1800	0.169	65
20290/C	3913420000	70	45	8.8	M10	71	71	529	750	750	1900	0.317	40
20290/C	3913220000	70	45	8.8	M10	132	132	953	790	790	2650	0.317	55
20290/C	3913120000	70	45	8.8	M10	207	207	1457	830	830	3600	0.317	65
25336/C	3913422000	75	55	11.5	M12	55	55	272	900	900	2200	0.455	40
25336/C	3913222000	75	55	11.5	M12	101	101	512	1000	1000	2950	0.455	55
25336/C	3913122000	75	55	11.5	M12	157	157	796	1050	1050	4050	0.455	65