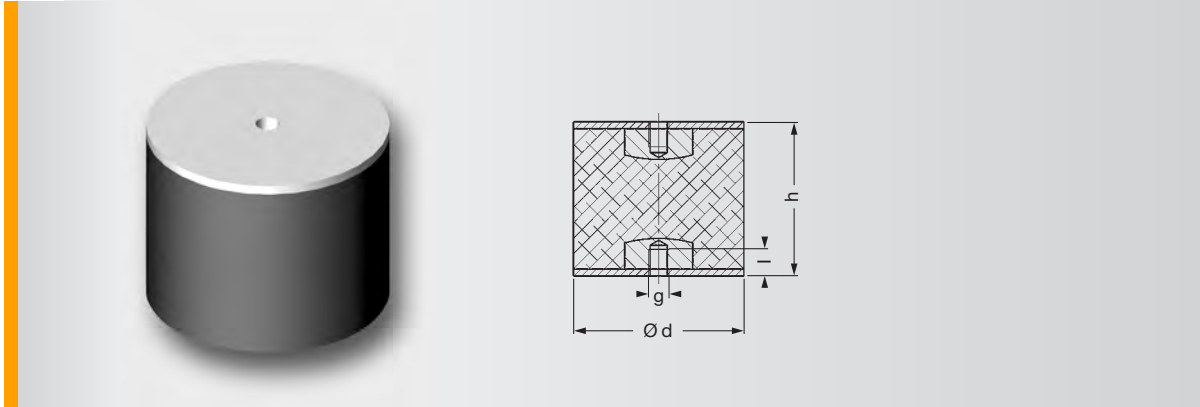


SCHWINGMETALL® Compression Mounts



Compression Mounts C Type 25335/C - 25329/C

Mould No.	Part No.	Dimensions				Spring Stiffness			Max. Loads			Mass Piece [kg]	Elastomer Hardness [Shore A]
		d [mm]	h [mm]	l [mm]	g	C _x [N/mm]	C _y [N/mm]	C _z [N/mm]	F _x [N]	F _y [N]	F _z [N]		
25335/C	3913425000	100	55	17.0	M16	103	103	561	1700	1700	4500	0.990	40
25335/C	3913225000	100	55	17.0	M16	191	191	1045	1900	1900	6200	0.990	55
25335/C	3913125000	100	55	17.0	M16	297	297	1619	2100	2100	8300	0.990	65
25328/C	3913426000	100	75	17.0	M16	53	53	279	1500	1500	4000	1.165	40
25328/C	3913226000	100	75	17.0	M16	96	96	540	1600	1600	5800	1.165	55
25328/C	3913126000	100	75	17.0	M16	149	149	848	1700	1700	7500	1.165	65
31475/C	3913427000	150	55	20.0	1)	216	216	1948	3500	3500	11000	2.500	40
31475/C	3913227000	150	55	20.0	1)	398	398	3511	3750	3750	16000	2.500	55
31475/C	3913127000	150	55	20.0	1)	621	621	5363	4000	4000	21000	2.500	65
25303/C	3913428000	150	75	20.0	1)	139	139	858	3500	3500	9500	2.950	40
25303/C	3913228000	150	75	20.0	1)	254	254	1613	3750	3750	14500	2.950	55
25303/C	3913128000	150	75	20.0	1)	395	395	2507	4000	4000	19000	2.950	65
25329/C	3913429000	200	100	20.0	1)	160	160	929	6000	6000	17500	5.920	40
25329/C	3913229000	200	100	20.0	1)	291	291	1802	6400	6400	25000	5.920	55
25329/C	3913129000	200	100	20.0	1)	451	451	2834	6800	6800	33500	5.920	65

1) suitable for screw up to M20; diameter of the inner part 40 mm