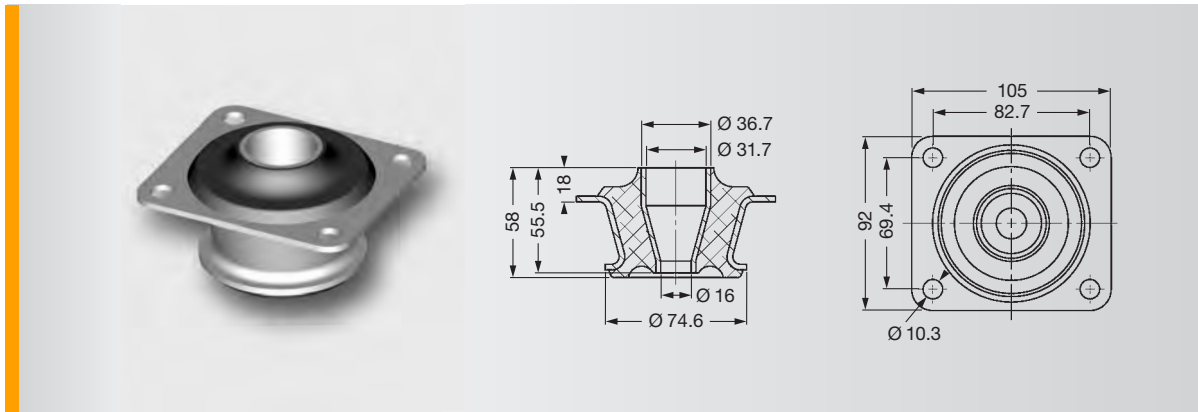


SCHWINGMETALL® Cone Mounts



Cone Mounts 210089									
Mould No.	Part No.	Spring Stiffness			Max. Loads			Mass Piece [kg]	Elas- tomer Hardness [Shore A]
		C_x [N/mm]	C_y [N/mm]	C_z [N/mm]	F_x [N]	F_y [N]	F_z [N]		
210089	4000004922	770	770	240	3080	3080	1100	0.57	40
210089	4000004923	1260	1260	400	4910	4910	1800	0.57	55
210089	4000004924	2000	2000	580	7600	7600	2550	0.57	65