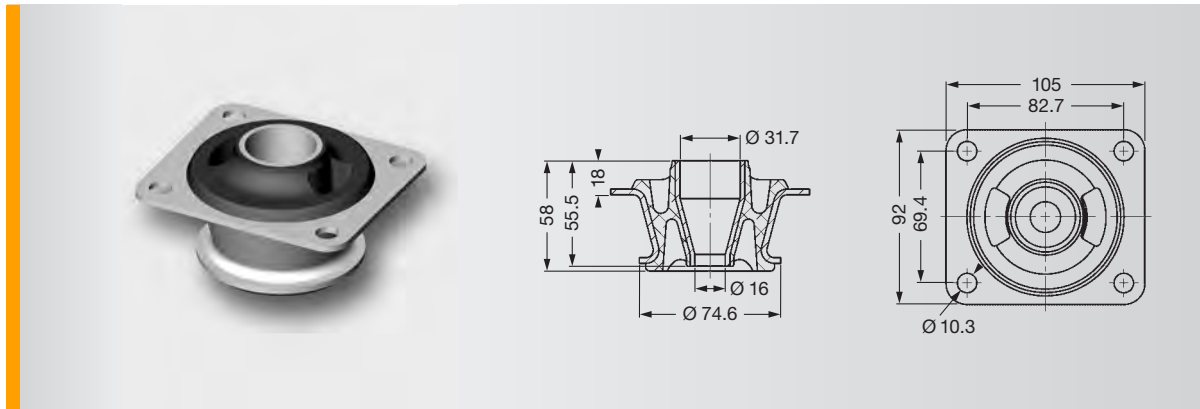


# SCHWINGMETALL® Cone Mounts



## Cone Mounts 210352

Mould No.	Part No.	Spring Stiffness			Max. Loads			Mass Piece [kg]	Elas- tomer Hardness [Shore A]
		$C_x$ [N/mm]	$C_y$ [N/mm]	$C_z$ [N/mm]	$F_x$ [N]	$F_y$ [N]	$F_z$ [N]		
210352	4000004925	340	640	160	1360	2560	740	0.55	40
210352	4000004926	570	1050	270	2220	4100	1220	0.55	55
210352	4000004927	900	1650	380	3420	6270	1670	0.55	65