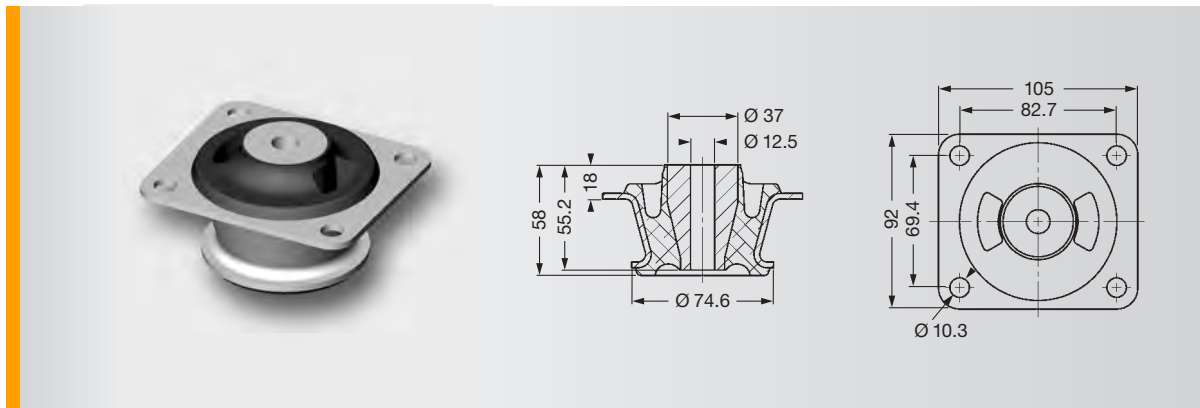


SCHWINGMETALL® Cone Mounts



Cone Mounts 210352A

Mould No.	Part No.	Spring Stiffness			Max. Loads			Mass Piece [kg]	Elas- tomer Hardness [Shore A]
		C_x [N/mm]	C_y [N/mm]	C_z [N/mm]	F_x [N]	F_y [N]	F_z [N]		
210352A	4000004928	580	760	200	2320	3040	920	0.75	40
210352A	4000004929	970	1190	340	3780	4640	1530	0.75	55
210352A	4000004930	1350	1790	470	5130	6800	2070	0.75	65