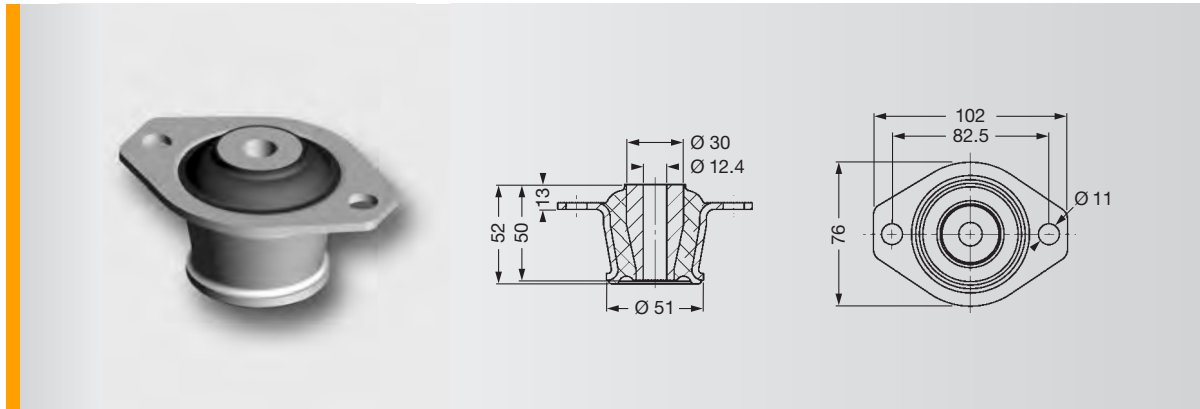


# SCHWINGMETALL® Cone Mounts



## Cone Mounts 210355

Mould No.	Part No.	Spring Stiffness			Max. Loads			Mass Piece [kg]	Elastomer Hardness [Shore A]
		$C_x$ [N/mm]	$C_y$ [N/mm]	$C_z$ [N/mm]	$F_x$ [N]	$F_y$ [N]	$F_z$ [N]		
210355	4000004931	1150	1150	270	2420	2420	970	0.48	40
210355	4000004932	2000	2000	490	4000	4000	1720	0.48	55
210355	4000004933	2700	2700	670	5130	5130	2280	0.48	65