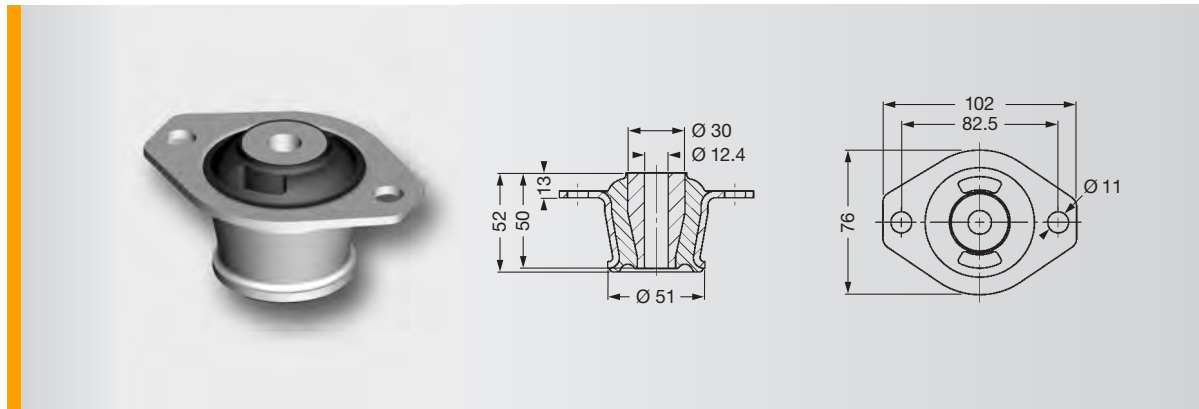


# SCHWINGMETALL® Cone Mounts



## Cone Mounts 210356

Mould No.	Part No.	Spring Stiffness			Max. Loads			Mass [kg]	Elastomer Hardness [Shore A]
		C <sub>x</sub> [N/mm]	C <sub>y</sub> [N/mm]	C <sub>z</sub> [N/mm]	F <sub>x</sub> [N]	F <sub>y</sub> [N]	F <sub>z</sub> [N]		
210356	4000004934	1000	480	180	2100	1010	650	0.47	40
210356	4000004935	1700	1010	320	3400	2020	1120	0.47	55
210356	4000004936	2500	1500	460	4750	2850	1560	0.47	65