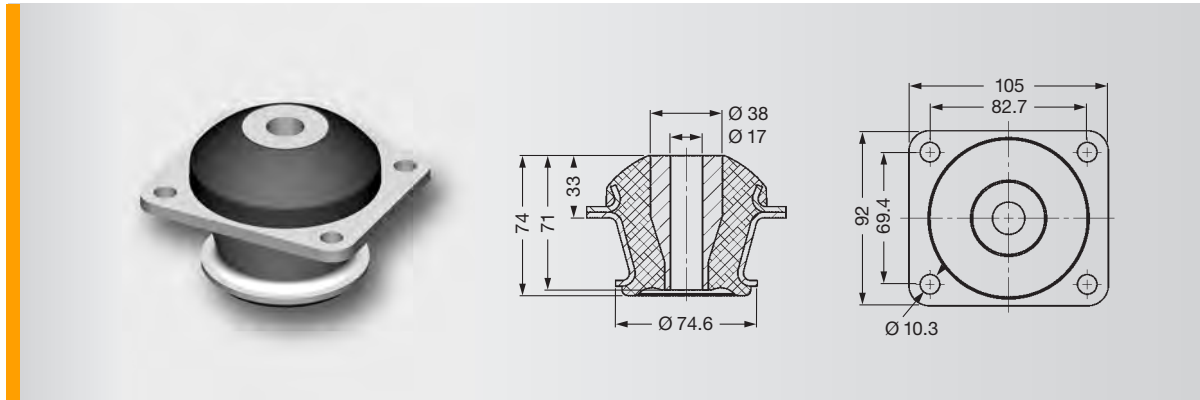


# SCHWINGMETALL® Cone Mounts



Cone Mounts 210444									
Mould No.	Part No.	Spring Stiffness			Max. Loads			Mass Piece [kg]	Elastomer Hardness [Shore A]
		$C_x$ [N/mm]	$C_y$ [N/mm]	$C_z$ [N/mm]	$F_x$ [N]	$F_y$ [N]	$F_z$ [N]		
210444	4000004937	1140	1140	390	5700	5700	1800	1.10	40
210444	4000004938	1680	1680	670	7970	7970	3000	1.10	55
210444	4000004939	2240	2240	970	10080	10080	4400	1.10	65