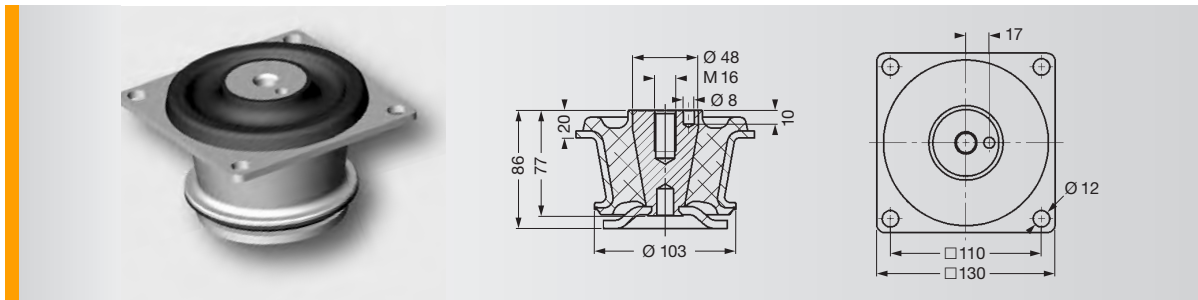


# SCHWINGMETALL® Cone Mounts



Cone Mounts 210470									
Mould No.	Part No.	Spring Stiffness			Max. Loads			Mass Piece [kg]	Elastomer Hardness [Shore A]
		C <sub>x</sub> [N/mm]	C <sub>y</sub> [N/mm]	C <sub>z</sub> [N/mm]	F <sub>x</sub> [N]	F <sub>y</sub> [N]	F <sub>z</sub> [N]		
210470	4000004940	1040	1040	440	4000	4000	1200	2.10	55
210470	4000004941	1600	1600	710	6400	6400	1900	2.10	65
210470	4000004942	2470	2470	1170	8000	8000	3000	2.10	75