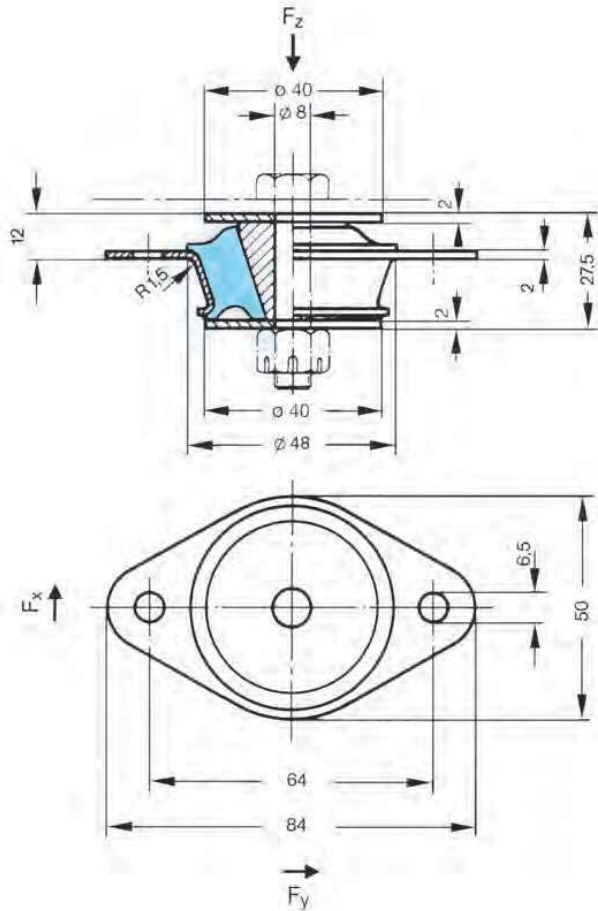
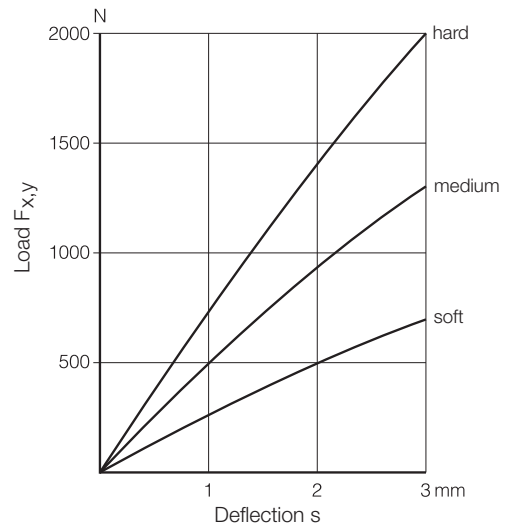
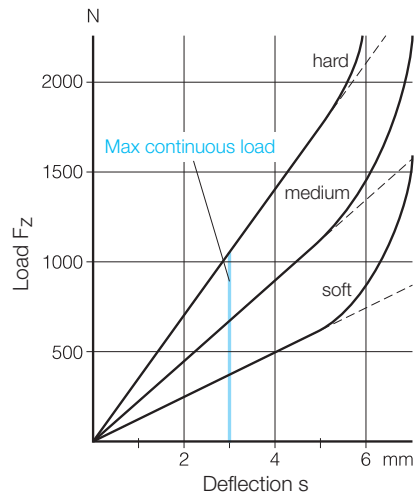


MEGI®-Cones

Megi cone
Part No. 786 021
Versions:
hard, medium, soft



Other dimensions and materials are available on request



Max. tension force of central threaded mount on inner section of cone
 $F_V = 20 \text{ kN}$.