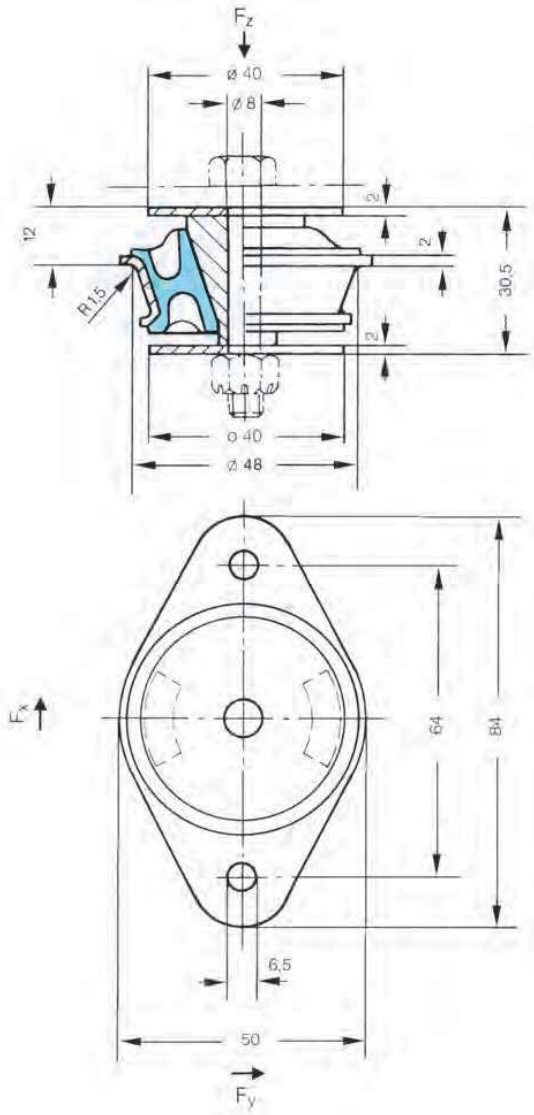


MEGI®-Cones

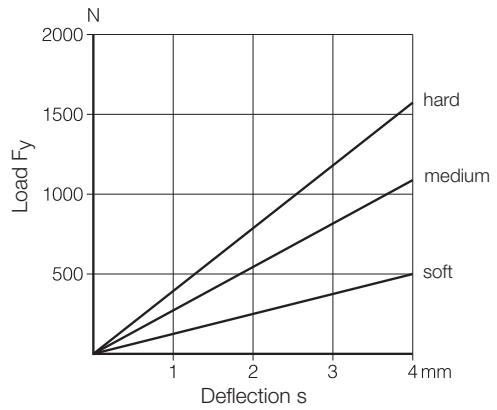
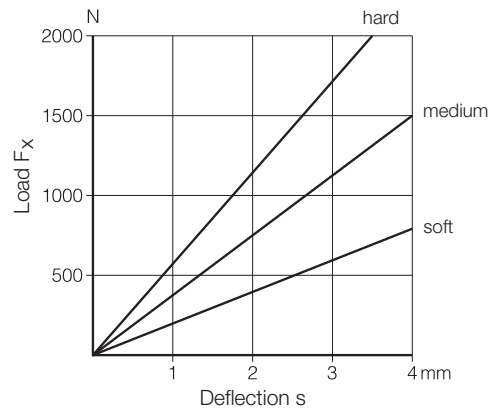
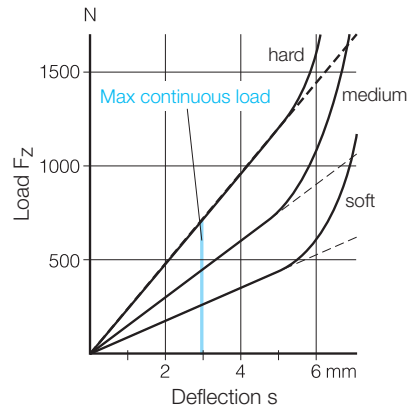
Megi cone
Part No. 786 021 S1

Versions:
hard, medium, soft

Special version for use as piston engine bearings. These cones have transverse radial recesses so that they are much softer in the transverse direction than in the longitudinal direction.



Other dimensions and materials are available on request



Max. tension force of central threaded mount on inner section of cone
 $F_y = 20$ kN.