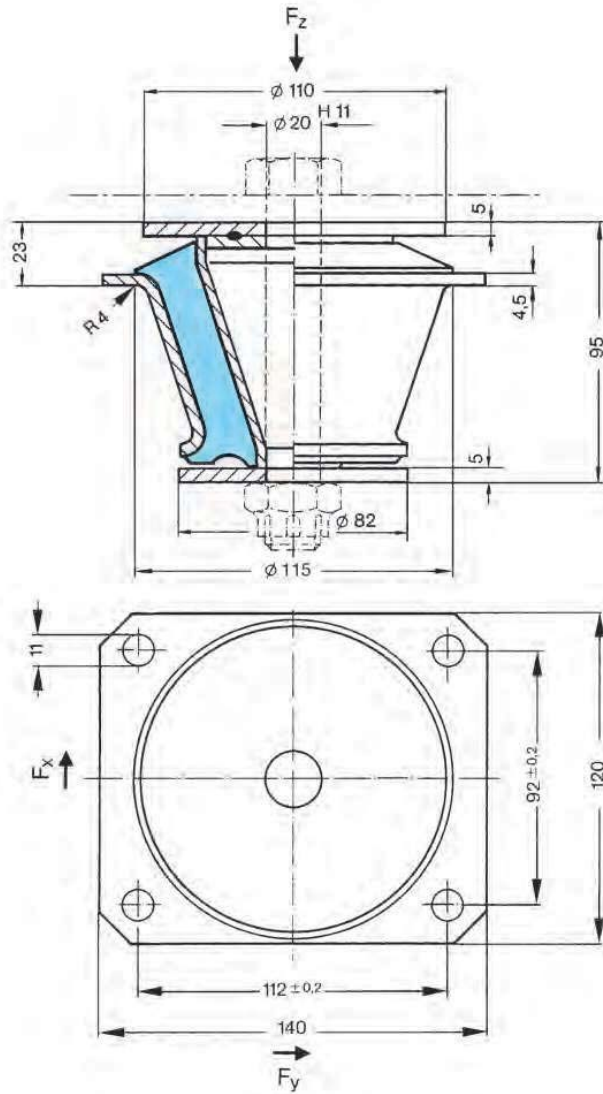
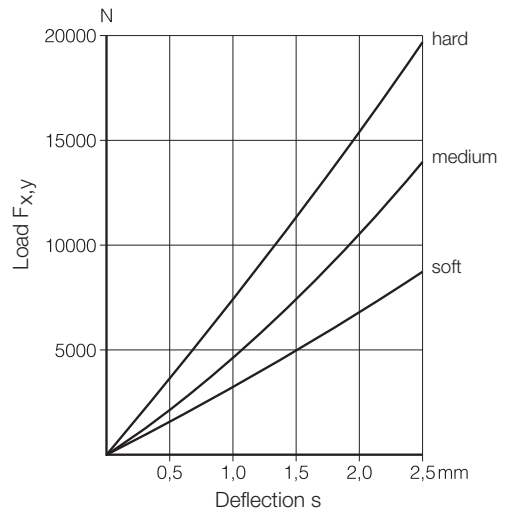
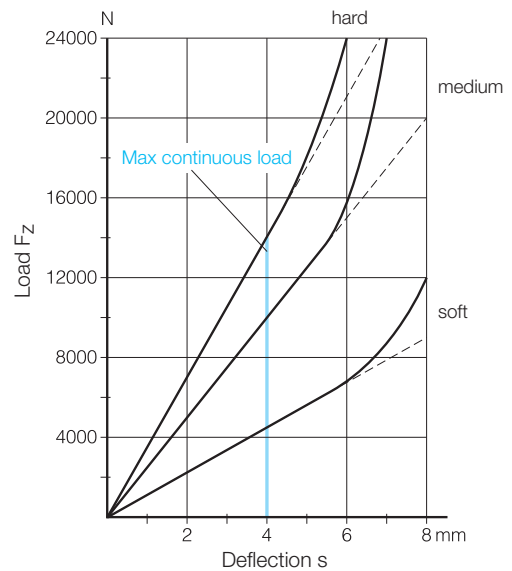


# MEGI®-Cones

**Megi cone**  
**Part No. 786 030**  
**Versions:**  
 hard, medium, soft



Other dimensions and materials are available on request



Max. tension force of central threaded mount on inner section of cone  
 $F_v = 80$  kN.