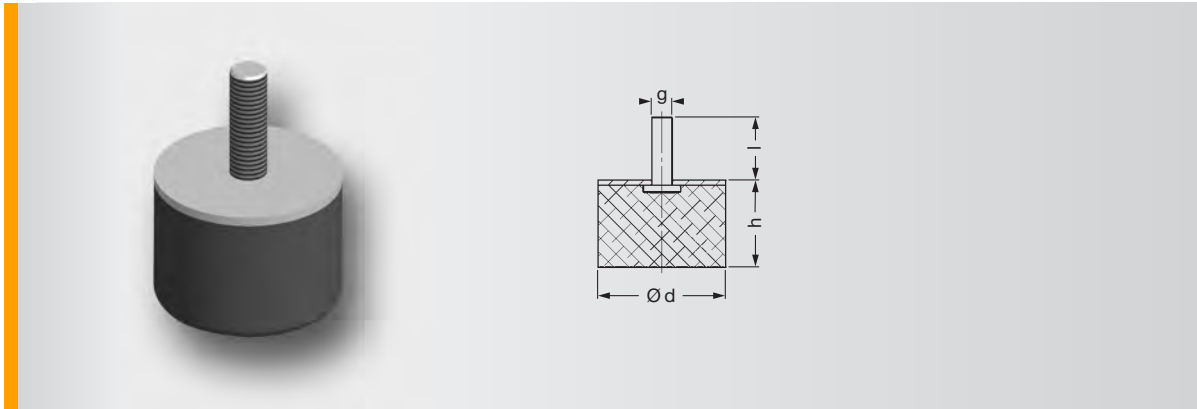


SCHWINGMETALL® Compression Mounts



Compression Mounts D Type 25326/D - 25335/D

Mould No.	Part No.	Dimensions				Spring Stiffness			Max. Loads	Mass Piece [kg]	Elas- tomer Hardness [Shore A]
		d [mm]	h [mm]	l [mm]	g	C _x [N/mm]	C _y [N/mm]	C _z [N/mm]	F _z [N]		
25326/D	3917204000	15	13	13.0	M4	10	10	61	110	0.005	55
25259/D	3917205000	15	28	16.0	M4	2	2	23	90	0.008	55
31658/D	3917206000	20	23	19.0	M6	9	9	53	150	0.015	55
25388/D	3917207000	25	8	18.5	M6	79	79	1038	400	0.011	55
20292a/D	3917208000	25	13	18.0	M6	43	43	281	325	0.014	55
20292/D	3917210000	25	18	18.0	M6	25	25	113	250	0.017	55
21239/D	3917211000	25	28	18.5	M6	13	13	69	250	0.022	55
31660/D	3917213000	30	28	20.5	M8	17	17	112	350	0.037	55
20291/D	3917214000	40	28	28.0	M8	37	37	209	650	0.064	55
27796/D	3917231000	40	38	24.5	M8	22	22	134	600	0.077	55
25332/D	3917217000	50	17	28.0	M10	114	114	844	1400	0.084	55
25333/D	3917218000	50	28	34.0	M10	64	64	339	1200	0.109	55
27797/D	3917219000	50	42	34.0	M10	36	36	201	1000	0.140	55
20290/D	3917220000	70	42	25.0	M10	81	81	449	2000	0.278	55
25327/D	3917221000	75	36	37.0	M12	114	114	742	2500	0.300	55
25336/D	3917222000	75	51	37.0	M12	72	72	407	2300	0.380	55
25334/D	3917224000	100	36	43.0	M16	254	254	1956	5500	0.584	55
25335/D	3917225000	100	50	43.0	M16	136	136	825	4400	0.720	55