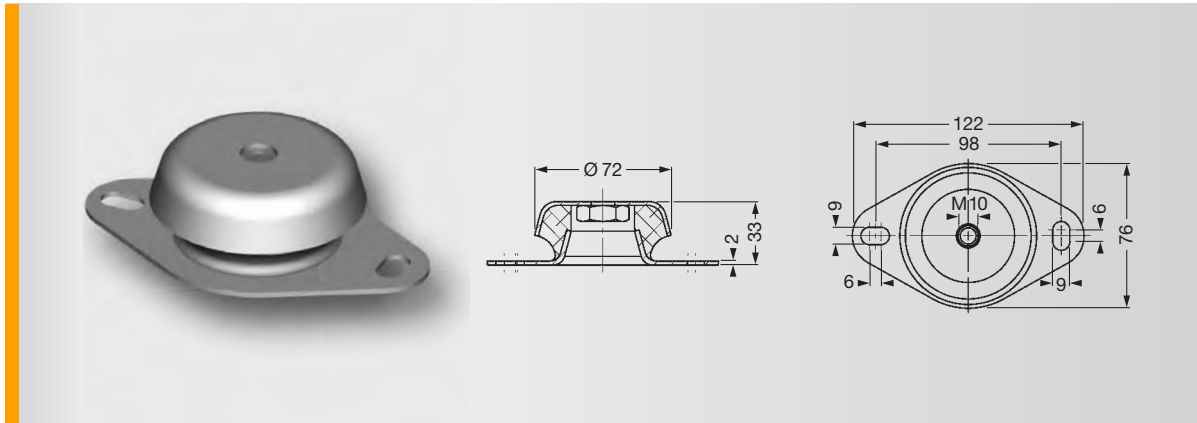


# SCHWINGMETALL® Dome Mounts



Dome Mounts 103965		Spring Stiffness			Max. Loads			Mass	Elas-tomer
Mould No.	Part No.	$C_x$ [N/mm]	$C_y$ [N/mm]	$C_z$ [N/mm]	$F_x$ [N]	$F_y$ [N]	$F_z$ [N]	Piece [kg]	Hardness [Shore A]
103965	3956410000	180	180	405	300	300	1965	0.238	40
103965	3956210000	320	320	605	480	480	2450	0.238	55
103965	3956110000	460	460	981	690	690	2950	0.238	65