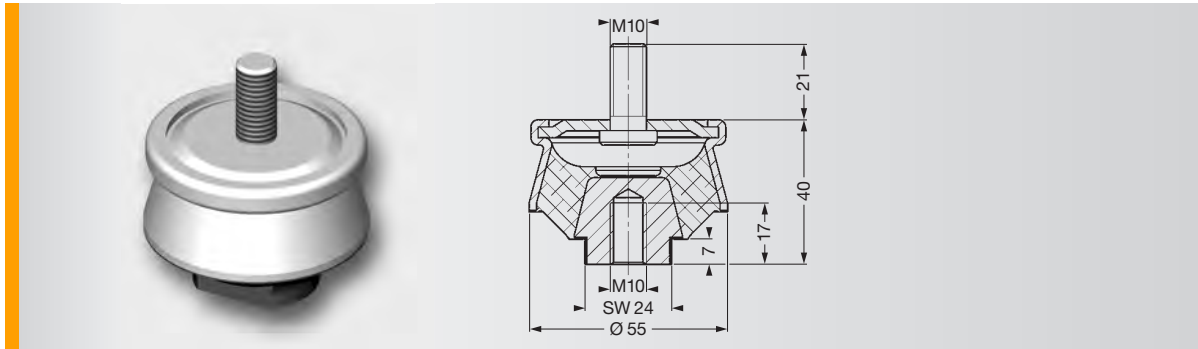


SCHWINGMETALL® Dome Mounts



| Dome Mounts 104169 | | Spring Stiffness | | | Max. Loads | | | Mass | Elastomer |
|--------------------|------------|------------------|-----------------|-----------------|--------------|--------------|--------------|---------------|-----------------------|
| Mould No. | Part No. | C_x [N/mm] | C_y [N/mm] | C_z [N/mm] | F_x [N] | F_y [N] | F_z [N] | Piece [kg] | Hardness [Shore A] |
| 104169 | 3956412001 | 221 | 221 | 110 | 200 | 200 | 400 | 0.248 | 40 |
| 104169 | 3956212001 | 437 | 437 | 200 | 410 | 410 | 687 | 0.248 | 55 |
| 104169 | 3956112001 | 730 | 730 | 316 | 650 | 650 | 1080 | 0.248 | 65 |