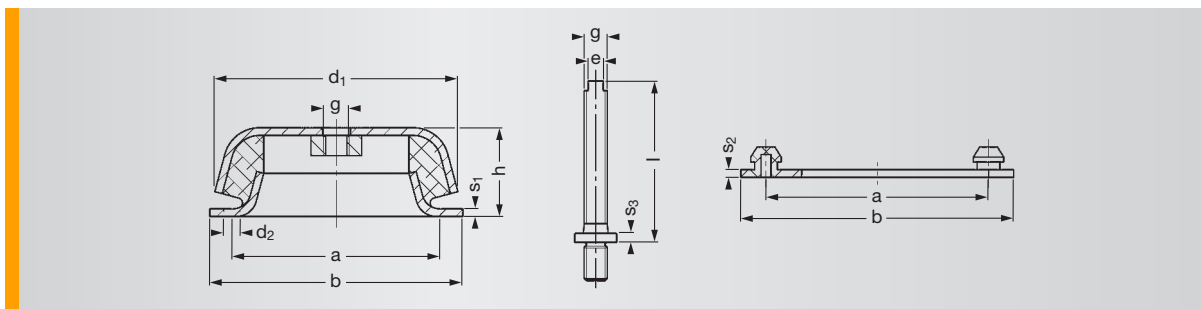
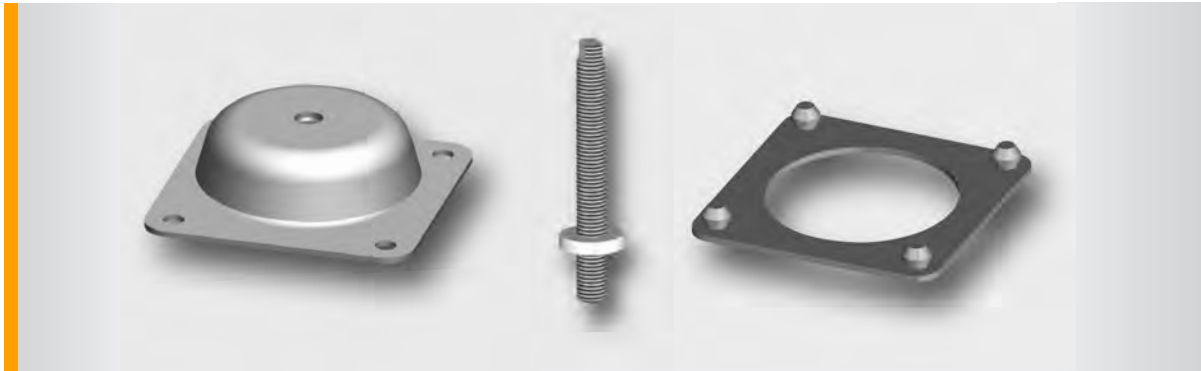


# SCHWINGMETALL® Dome Mounts



## Dome Mounts 33629

Mould No.	Part No. Mount	Part No. Level Adjustment Spindle	Part No. Washer Mat	Dimensions							
				a [mm]	b [mm]	d1 [mm]	d2 [mm]	e [mm]	g [mm]	h [mm]	s1 [mm]
33629	3956405000	3956025000	3956015000	□ 132	□ 168	136	4 x 13	SW10	M16	50	4
33629	3956205000	3956025000	3956015000	□ 132	□ 168	136	4 x 13	SW10	M16	50	4
33629	3956105000	3956025000	3956015000	□ 132	□ 168	136	4 x 13	SW10	M16	50	4

Mould No.	Part No. Mount	Dimensions			Spring Stiffness			Max. Loads			Mass [kg]	Elastomer Hardness [Shore A]
		s2 [mm]	s3 [mm]	Washer DIN 9021-ST	C <sub>x</sub> [N/mm]	C <sub>y</sub> [N/mm]	C <sub>z</sub> [N/mm]	F <sub>x</sub> [N]	F <sub>y</sub> [N]	F <sub>z</sub> [N]		
33629	3956405000	3.0	6	A17x3	850	850	920	1750	1750	4000	1.770	40
33629	3956205000	3.0	6	A17x3	1540	1540	1650	3300	3300	6900	1.770	55
33629	3956105000	3.0	6	A17x3	2400	2400	2555	5000	5000	9850	1.770	65

- ▶ Wet the studs with soapy water before mounting the underlay.
- ▶ Nuts according to DIN 555, washers according to DIN 25 and spring washers according to DIN 127 are commercial parts.