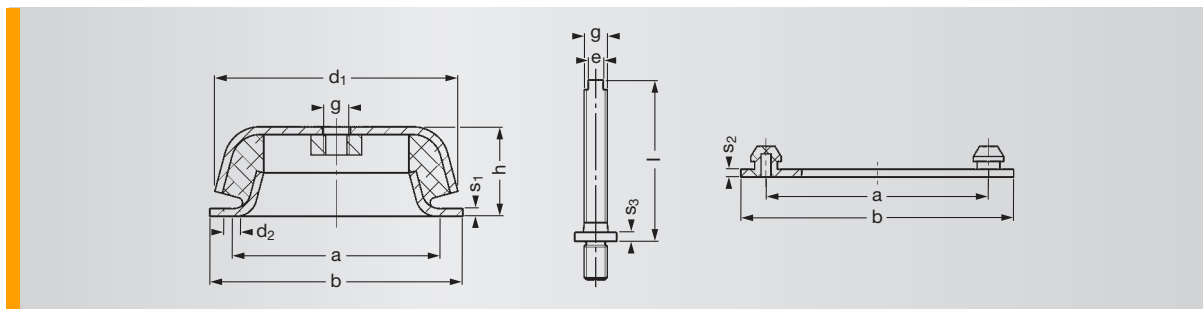
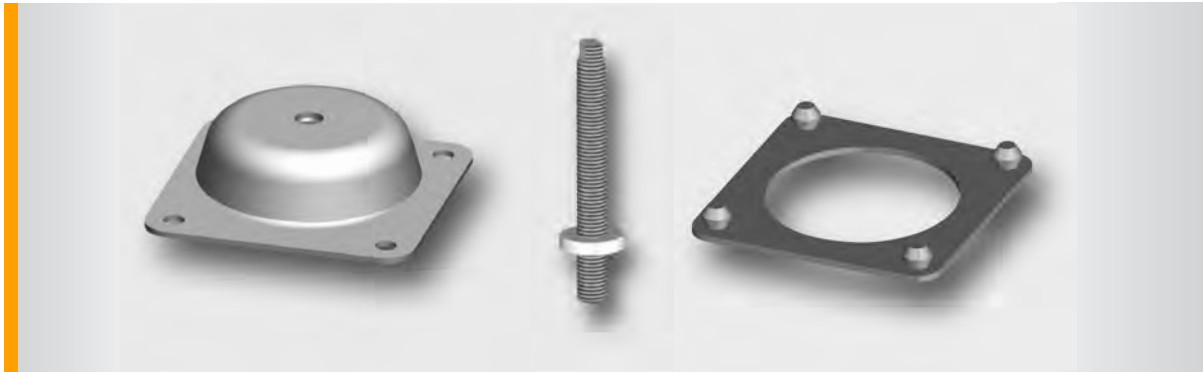


# SCHWINGMETALL® Dome Mounts



## Dome Mounts 58540

Mould No.	Part No. Mount	Part No. Level Adjustment Spindle	Part No. Washer Mat	Dimensions							
				a [mm]	b [mm]	d1 [mm]	d2 [mm]	e [mm]	g [mm]	h [mm]	s1 [mm]
58540	3956406000	3956026000	3956016000	□ 88	□ 108	101	4 x 9	SW8	M12	40	3
58540	3956206000	3956026000	3956016000	□ 88	□ 108	101	4 x 9	SW8	M12	40	3
58540	3956106000	3956026000	3956016000	□ 88	□ 108	101	4 x 9	SW8	M12	40	3

Mould No.	Part No. Mount	Dimensions			Spring Stiffness			Max. Loads			Mass Piece [kg]	Elas- tomer Hardness [Shore A]
		s2 [mm]	s3 [mm]	Washer DIN 9021-ST	C <sub>x</sub> [N/mm]	C <sub>y</sub> [N/mm]	C <sub>z</sub> [N/mm]	F <sub>x</sub> [N]	F <sub>y</sub> [N]	F <sub>z</sub> [N]		
58540	3956406000	2.5	5	A13x3	410	410	505	900	900	1965	0.650	40
58540	3956206000	2.5	5	A13x3	746	746	910	1650	1650	3500	0.650	55
58540	3956106000	2.5	5	A13x3	1180	1180	1315	2600	2660	4950	0.650	65

- ▶ Wet the studs with soapy water before mounting the underlay.
- ▶ Nuts according to DIN 555, washers according to DIN 25 and spring washers according to DIN 127 are commercial parts.