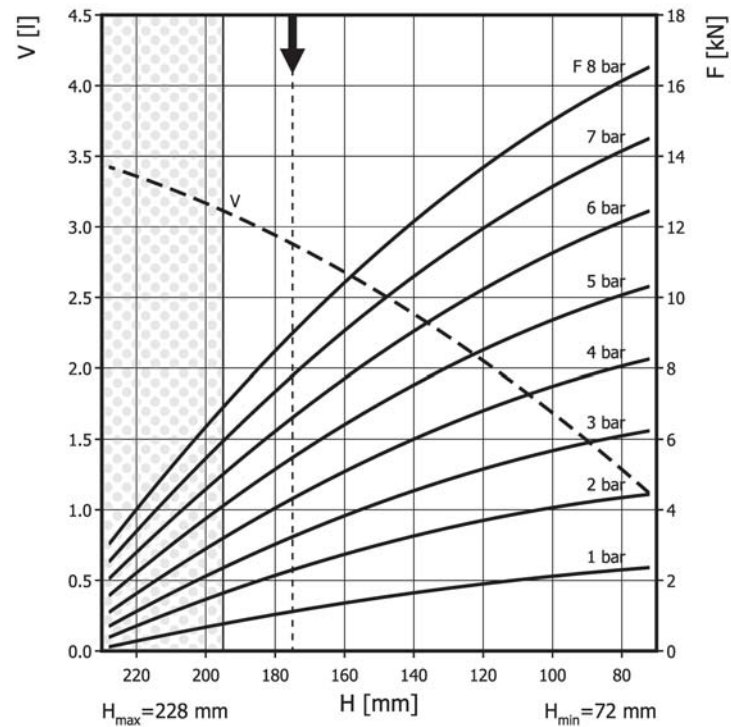
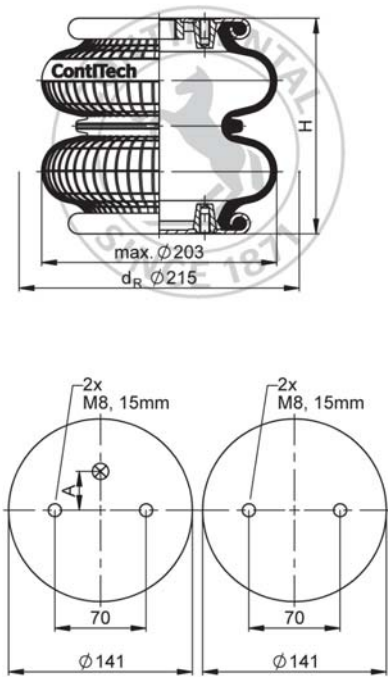


FD 110-15 CI

Double Convolution Air Actuator



Use in dotted range >195 mm only after consultation with ContiTech



Recommended height for vibration isolation: 175 mm

Purchase order data

Type	Order No.
Rubber bellows only	61193
with crimped plates, G1/4 air inlet 0 mm excentrical	61381
with crimped plates, G3/4 air inlet 0 mm excentrical	61382

Additional types on request



Service instructions
M8: max. 25 Nm
G1/4: max. 25 Nm
G3/4: max. 50 Nm

Technical data

Min. pressure	0 bar
Return force to min height	≤ 200 N
Overall weight	2.1 kg

Vibration isolation - dynamic characteristic values

Design height H: recommended 175mm, minimum 155mm

Pressure p [bar]	3	4	5	6	7	8	Vol. V [l]
Force (Load) [kN]	3.3	4.5	5.6	6.8	8	9.2	
Spring rate [N/mm]	67.5	89	111	130	147	167.5	2.8
Natural frequency [Hz]	2.3	2.2	2.2	2.2	2.1	2.1	

Pneumatic application - static characteristic values

Force F [kN]

Pressure p [bar]	3	4	5	6	7	8	Vol. V [l]
Height H [mm]	180	3.11	4.12	5.21	6.31	7.42	
	160	3.85	5.12	6.46	7.79	9.12	10.5
	140	4.53	6	7.52	9.04	10.6	12.2
	120	5.04	6.7	8.42	10.1	11.8	13.6
	100	5.63	7.44	9.34	11.2	13.1	15
	80	6.11	8.09	10.1	12.2	14.2	16.2