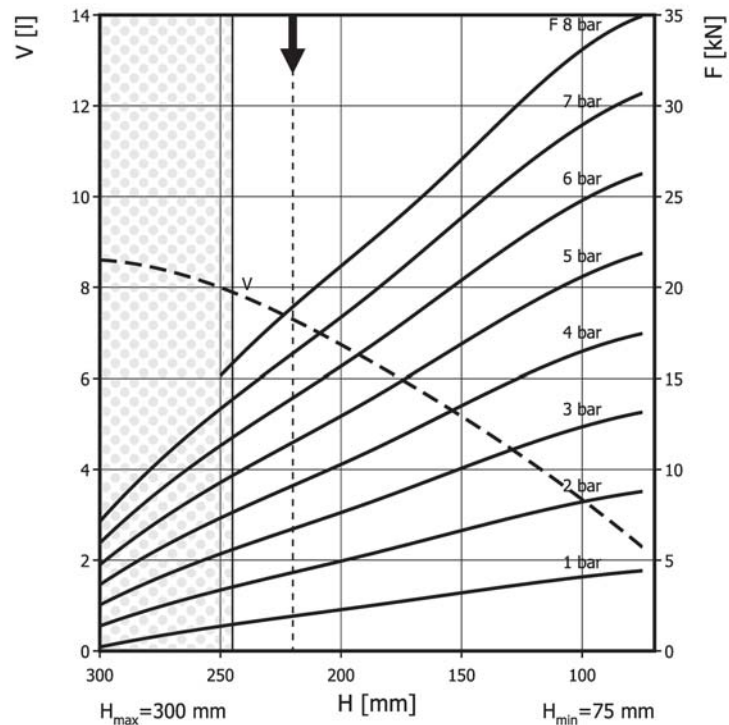
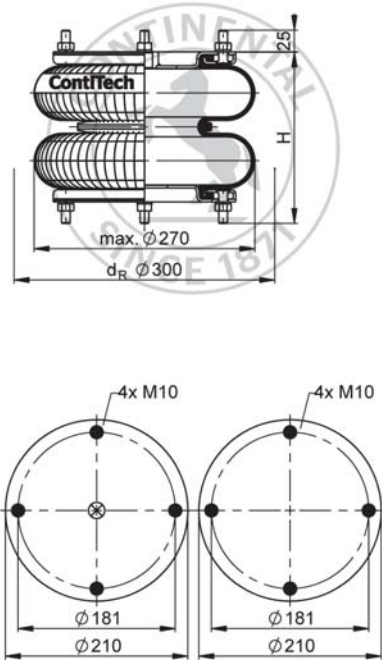


FD 210-22 DS

Double Convolution Air Actuator



Use in dotted range >245 mm only after consultation with ContiTech



Recommended height for vibration isolation: 220 mm

Purchase order data

Type	Order No.
Rubber bellows only	66993
with dismountable plates, G1/2 air inlet	67403

Additional types on request



Service instructions
M10: max. 25 Nm
G1/2: max. 25 Nm

Technical data

Min. pressure	0 bar
Return force to min height	≤ 220 N
Overall weight	4.7 kg

Vibration isolation - dynamic characteristic values

Design height H: recommended 220mm, minimum 200mm

Pressure p [bar]	3	4	5	6	7	8	Vol. V [l]
Force (Load) [kN]	6.7	9.2	11.5	13.9	16.3	18.7	
Spring rate [N/mm]	100	123.5	148	171	194.5	218.5	
Natural frequency [Hz]	1.9	1.8	1.8	1.8	1.7	1.7	

Pneumatic application - static characteristic values

Force F [kN]

Pressure p [bar]	3	4	5	6	7	8	Vol. V [l]	
Height H [mm]	250	5.28	7.22	9.16	11.2	13.2		15.1
	200	7.66	10.3	13	15.7	18.4	21.1	6.7
	150	9.98	13.4	16.7	20.2	23.6	27	5.2
	100	12.4	16.5	20.6	24.8	28.9	33	3.3