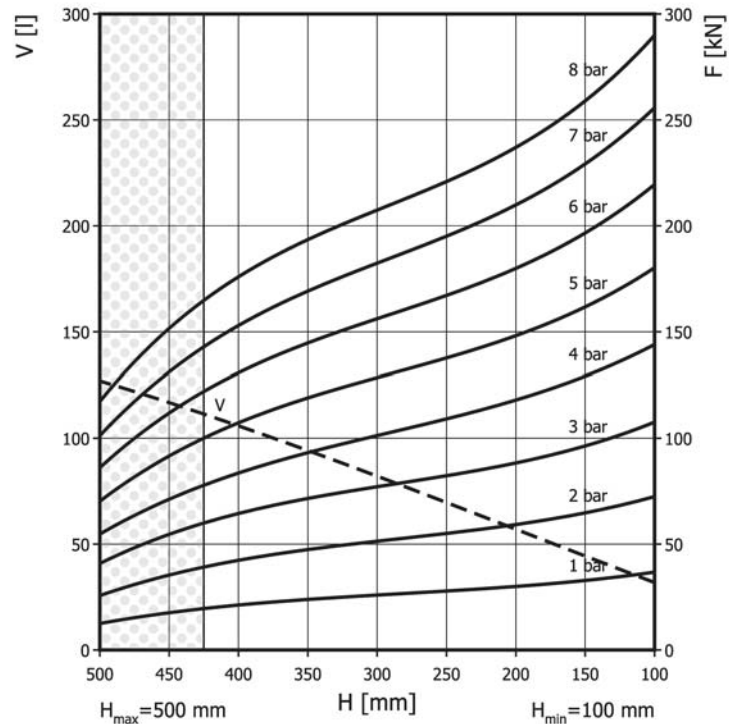
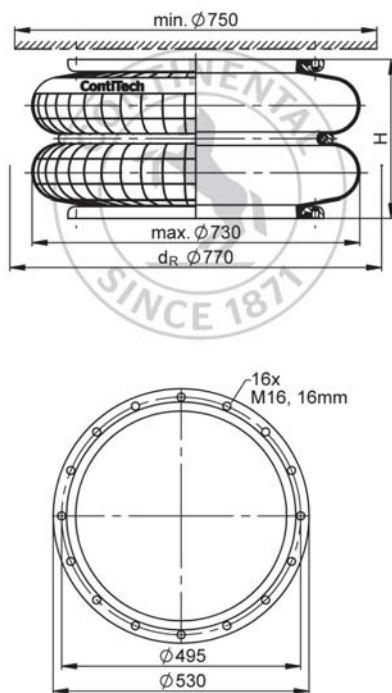


FD 2470-40 RI Double Convolution Air Actuator



Use in dotted range >425 mm only after consultation with ContiTech

Purchase order data

Type	Order No.
Rubber bellows only	2680898901
with vulcanized girdle ring	60426
with girdle and bead rings	2682898003

Additional types on request



Service instructions
M16: max. 100 Nm

Technical data

Min. pressure	0 bar
Return force to min height	≤ 1700 N
Overall weight	33.2 kg

Pneumatic application - static characteristic values

Force F [kN]

Pressure p [bar]	3	4	5	6	7	8	Vol. V [l]
Height H [mm]							
500	41.4	55.1	70.8	86.8	102	119	130
400	63.6	83.1	107	130	152	174	110
300	78.9	103	131	158	185	211	82
200	86.7	116	147	178	208	234	57
100	108	145	181	220	256	291	32