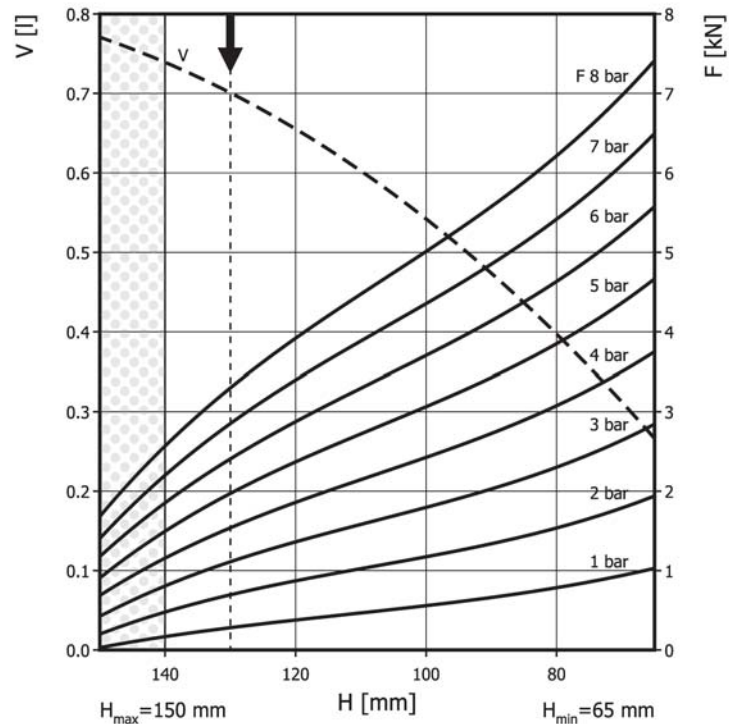
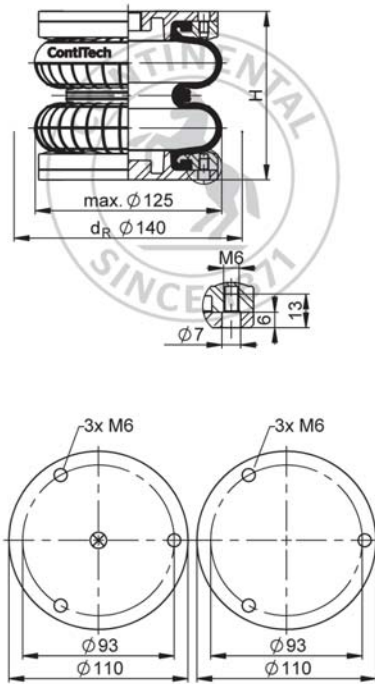


FD 44-10 DI CR Double Convolution Air Actuator



Use in dotted range >140 mm only after consultation with ContiTech

Recommended height for vibration isolation: 130 mm

Purchase order data

Type	Order No.
Rubber bellows only	70201
CR-Rubber bellows, with dismountable aluminium plates, G3/8 air inlet	70206

Additional types on request



Service instructions
M6: max. 5 Nm
G3/8: max. 15 Nm

Technical data

Min. pressure	0 bar
Return force to min height	≤ 150 N
Overall weight	0.98 kg

Vibration isolation - dynamic characteristic values

Design height H : recommended 130mm, minimum 110mm

Pressure p [bar]	3	4	5	6	7	8	Vol. V [l]
Force (Load) [kN]	1.1	1.5	2	2.4	2.8	3.2	
Spring rate [N/mm]	44	56	68	80.5	92.5	104	
Natural frequency [Hz]	3.2	3.0	3.0	2.9	2.9	2.8	

Pneumatic application - static characteristic values

Force F [kN]

Pressure p [bar]	3	4	5	6	7	8	Vol. V [l]	
Height H [mm]	140	0.8	1.14	1.48	1.82	2.18		2.54
	120	1.36	1.86	2.37	2.89	3.4	3.93	0.66
	100	1.82	2.45	3.09	3.73	4.38	5.03	0.54
	80	2.29	3.06	3.84	4.62	5.41	6.21	0.4