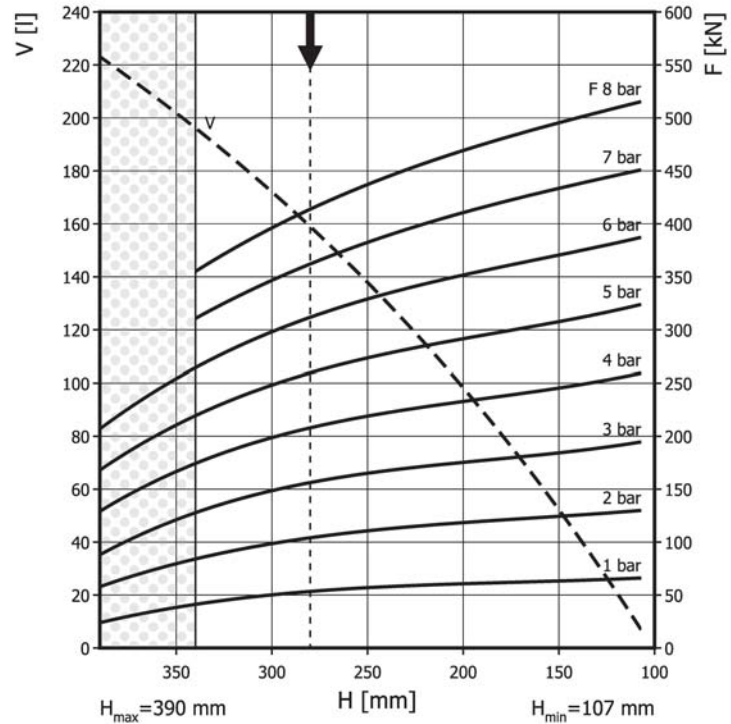
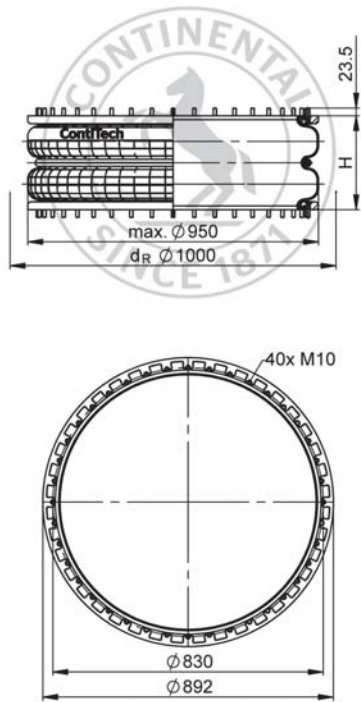


FD 5450-28 RS

Double Convolution Air Actuator



Use in dotted range >340 mm only after consultation with ContiTech



Recommended height for vibration isolation: 280 mm

Purchase order data

Type	Order No.
Rubber bellows only	61786
with bead rings, 45 mm bolts, nuts and washers	61908

Additional types on request



Service instructions
M10: max. 40 Nm

Technical data

Min. pressure	0 bar
Return force to min height	≤ 5500 N
Overall weight	32.9 kg

Vibration isolation - dynamic characteristic values

Design height H: recommended 280mm, minimum 260mm

Pressure p [bar]	3	4	5	6	7	8	Vol. V [l]
Force (Load) [kN]	157.3	204.9	260.8	312.3	363.8	415.3	
Spring rate [N/mm]	1269	1581	1936	2260	2584	2908	
Natural frequency [Hz]	1.4	1.4	1.4	1.3	1.3	1.3	

Pneumatic application - static characteristic values

Force F [kN]

Pressure p [bar]	3	4	5	6	7	8	Vol. V [l]
Height H [mm]	280	155	206	257	308	359	
	240	166	222	278	335	391	446
	200	176	233	292	354	413	472
	160	184	243	305	365	426	487
	120	191	255	319	383	447	511