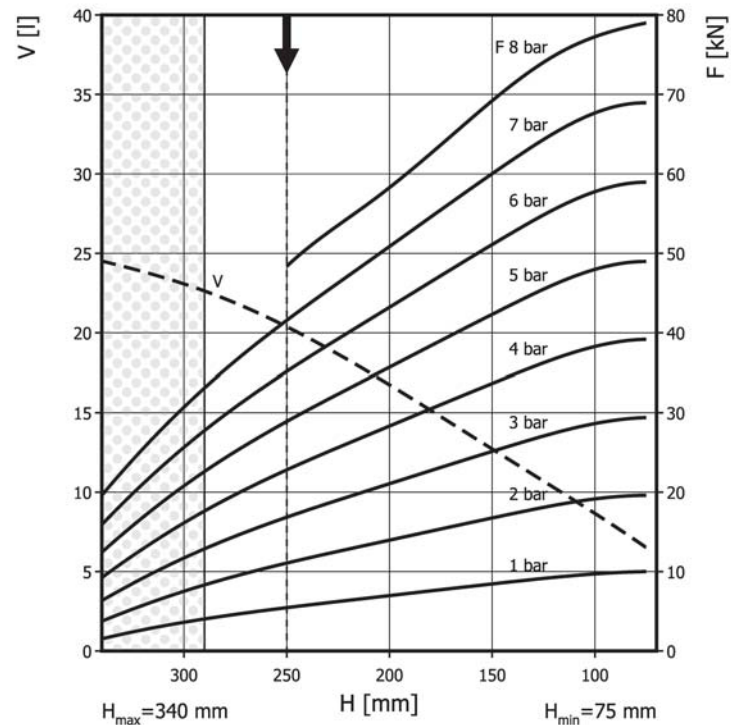
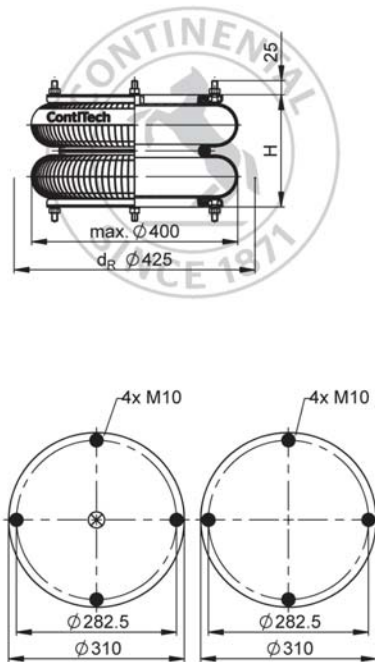


FD 614-26 DS

Double Convolution Air Actuator



Use in dotted range >290 mm only after consultation with ContiTech



Recommended height for vibration isolation: 250 mm

Purchase order data

Type	Order No.
Rubber bellows only	66013
with dismantable plates, G1/2 air inlet	68046

Additional types on request

Technical data

Min. pressure	0 bar
Return force to min height	≤ 280 N
Overall weight	8.3 kg

Vibration isolation - dynamic characteristic values

Design height H: recommended 250mm, minimum 230mm

Pressure p [bar]	3	4	5	6	7	8	Vol. V [l]
Force (Load) [kN]	17.3	23.6	29.3	35.7	41.7	47.8	
Spring rate [N/mm]	197	252	304	358	409	461	
Natural frequency [Hz]	1.7	1.6	1.6	1.6	1.6	1.6	

Pneumatic application - static characteristic values

Force F [kN]

Pressure p [bar]	3	4	5	6	7	8	Vol. V [l]
Height H [mm]	290	12.8	17.5	22.5	27.6	33	
	250	16.9	22.9	29	35.3	41.8	20
	200	20.9	28.1	35.4	42.9	50.4	17
	150	25.1	33.7	42.4	51.2	60.2	13
	100	28.6	38.2	47.8	57.6	67.4	8.6


 Service instructions
 M10: max. 25 Nm
 G1/2: max. 25 Nm