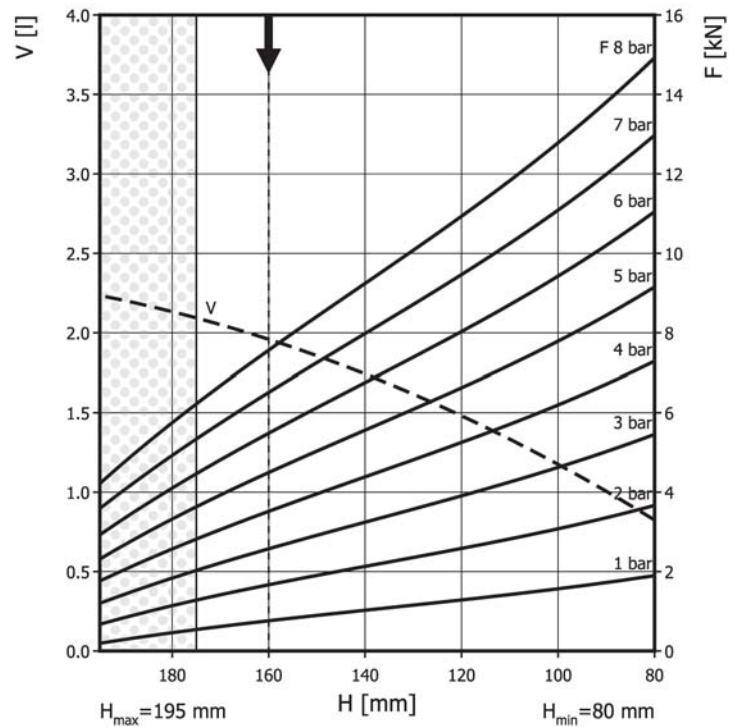
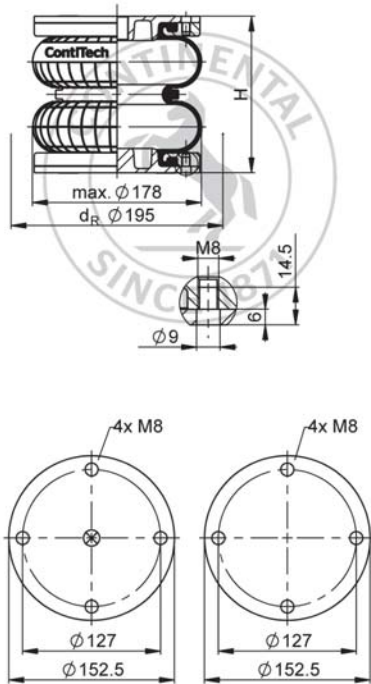


FD 76-14 DI CR Double Convolution Air Actuator



Use in dotted range >175 mm only after consultation with ContiTech



Recommended height for vibration isolation: 160 mm

Purchase order data

Type	Order No.
Rubber bellows only	77215
CR-Rubber bellows, with dismountable aluminium plates, G1/2 air inlet	69838

Additional types on request



Service instructions
M8: max. 12 Nm
G1/2: max. 25 Nm

Technical data

Min. pressure	0 bar
Return force to min height	≤ 180 N
Overall weight	1.8 kg

Vibration isolation - dynamic characteristic values

Design height H: recommended 160mm, minimum 150mm

Pressure p [bar]	3	4	5	6	7	8	Vol. V [l]
Force (Load) [kN]	2.6	3.5	4.5	5.5	6.5	7.6	2
Spring rate [N/mm]	67.5	85.5	103.5	121.5	139.5	157	
Natural frequency [Hz]	2.5	2.4	2.4	2.3	2.3	2.3	

Pneumatic application - static characteristic values

Force F [kN]

Pressure p [bar]	3	4	5	6	7	8	Vol. V [l]	
Height H [mm]	160	2.58	3.52	4.5	5.5	6.54	7.6	2
	140	3.3	4.46	5.64	6.84	8.07	9.33	1.7
	120	3.88	5.21	6.57	7.96	9.38	10.8	1.5
	100	4.59	6.16	7.76	9.4	11.1	12.8	1.2