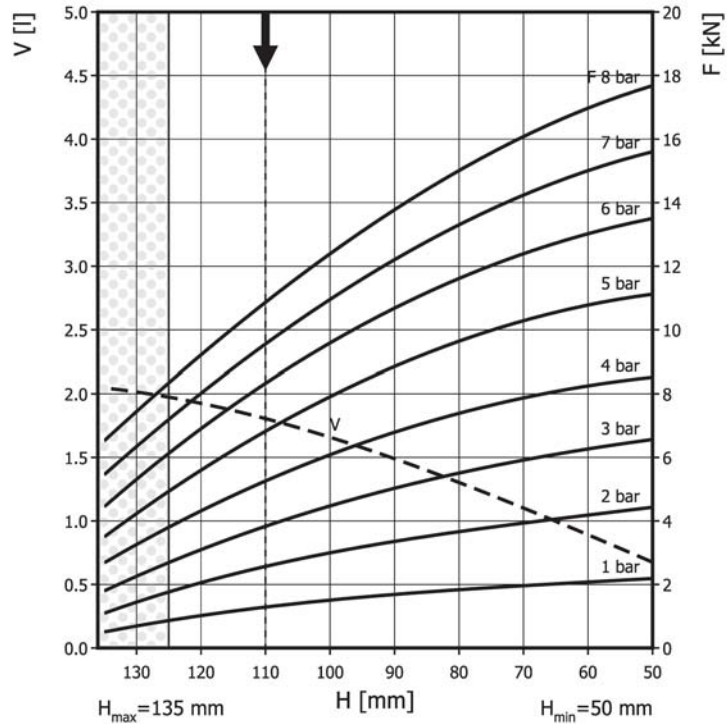
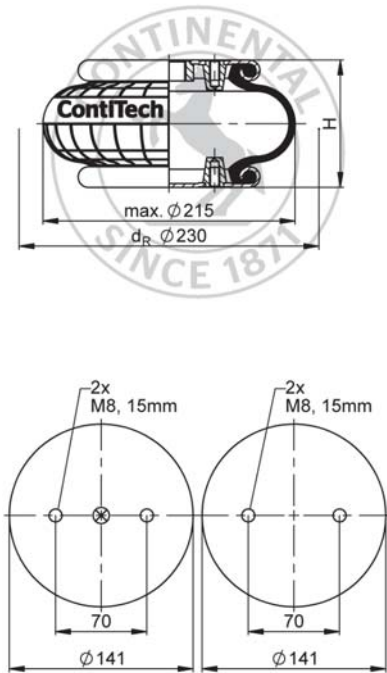


# FS 120-9 CI

# Single Convolution Air Actuator



Use in dotted range >125 mm only after consultation with ContiTech

Recommended height for vibration isolation: 110 mm

### Purchase order data

Type	Order No.
Rubber bellows only	72994
with crimped plates, G1/4 air inlet 0 mm excentric	61358
with crimped plates, G3/4 air inlet 0 mm excentric	2681030000

Additional types on request



Service instructions  
 M8: max. 25 Nm  
 G1/4: max. 25 Nm  
 G3/4: max. 50 Nm

### Technical data

Min. pressure	0 bar
Return force to min height	≤ 200 N
Overall weight	2 kg

#### Vibration isolation - dynamic characteristic values

Design height H: recommended 110mm, minimum 90mm

Pressure p [bar]	3	4	5	6	7	8	Vol. V [l]
Force (Load) [kN]	3.9	5.3	6.8	8.3	9.6	10.9	1.8
Spring rate [N/mm]	131.5	162	192.5	223	253.5	284	
Natural frequency [Hz]	2.9	2.8	2.7	2.6	2.6	2.6	

#### Pneumatic application - static characteristic values

Force F [kN]

Pressure p [bar]	3	4	5	6	7	8	Vol. V [l]	
Height H [mm]	119.7	3.1	4.3	5.6	6.9	8	9.2	1.9
	110	3.86	5.28	6.84	8.28	9.6	10.9	1.8
	100	4.48	6.1	7.9	9.66	11	12.4	1.7
	90	5.01	6.8	8.9	10.8	12.2	13.8	1.5
	80	5.5	7.38	9.65	11.6	13.3	15	1.3
	70	5.9	7.87	10.3	12.3	14.2	16	1.1
	60	6.3	8.23	10.7	13	15	17	0.85

**PHOENIX**  
PHOENIX VIBRATION CONTROLS B.V.

**ORDER DIRECTLY? MORE INFORMATION ON THIS PRODUCT OR INTERESTED IN OUR EFFICIENT CUSTOM MADE SOLUTIONS?**

CALL +31(0)187 493744 OR SEND AN E-MAIL TO [INFO@PHOENIXVC.NL](mailto:INFO@PHOENIXVC.NL)