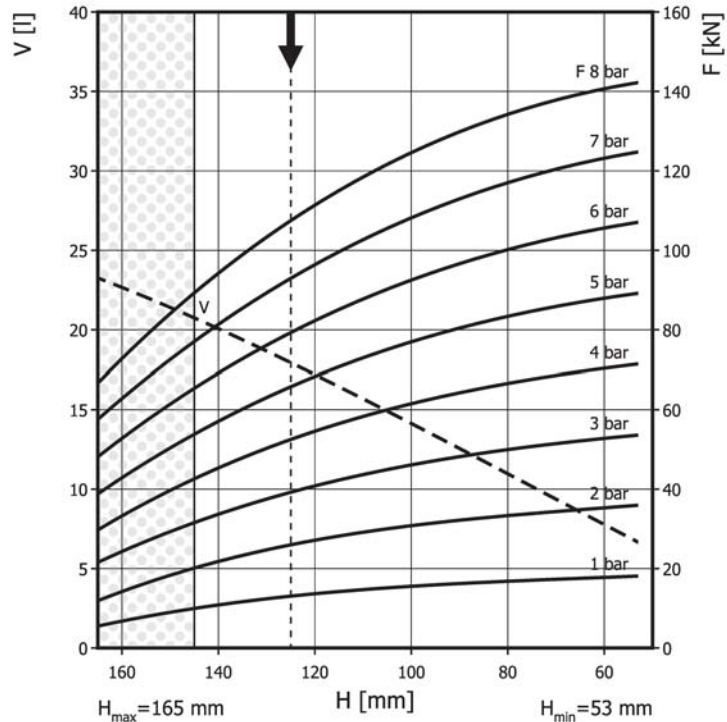
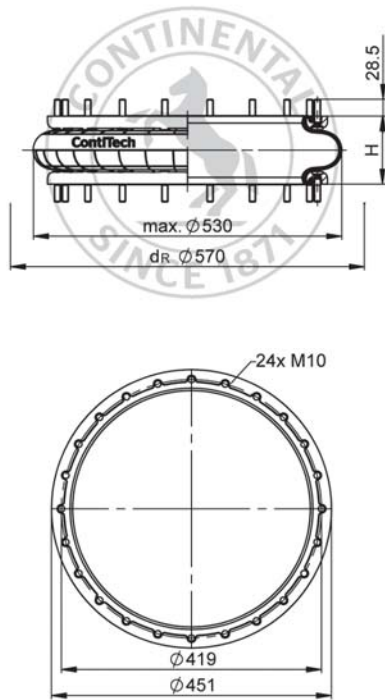


# FS 1330-11 RS

# Single Convolution Air Actuator



Use in dotted range >145 mm only after consultation with ContiTech



Recommended height for vibration isolation: 125 mm

### Purchase order data

Type	Order No.
Rubber bellows only	61778
with bead rings, 45 mm bolts, nuts and washers	61899

Additional types on request



Service instructions  
M10: max. 40 Nm

### Technical data

Min. pressure	0 bar
Return force to min height	≤ 90 N
Overall weight	7.3 kg

#### Vibration isolation - dynamic characteristic values

Design height H: recommended 125mm, minimum 105mm

Pressure p [bar]	3	4	5	6	7	8	Vol. V [l]
Force (Load) [kN]	38.9	52.1	65.3	79	92.5	107.6	
Spring rate [N/mm]	813	1053	1274	1524	1766	1985	
Natural frequency [Hz]	2.3	2.2	2.2	2.2	2.2	2.2	

#### Pneumatic application - static characteristic values

Force F [kN]

Pressure p [bar]	3	4	5	6	7	8	Vol. V [l]
Height H [mm]	140	34	45.8	57.5	69.5	81.8	
	120	40.3	54	67.6	81.4	95.5	112
	100	46	61.2	76.8	92.5	108	124
	80	50.3	67.1	83.9	101	118	135