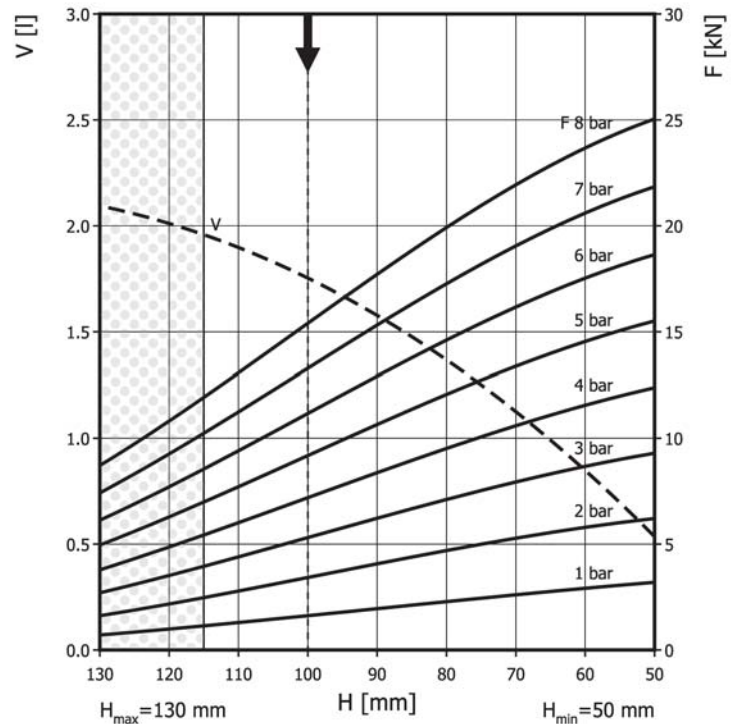
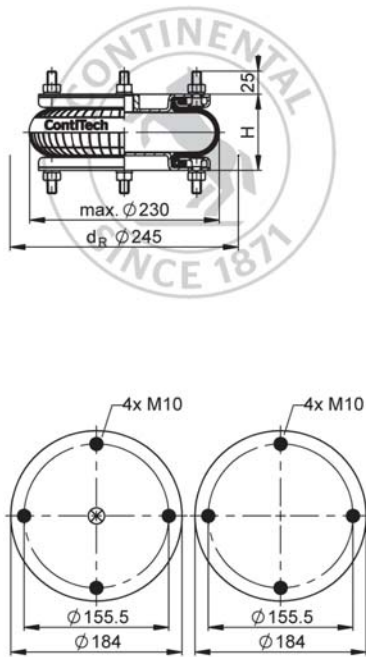


FS 138-8 DS

Single Convolution Air Actuator



Use in dotted range >115 mm only after consultation with ContiTech



Recommended height for vibration isolation: 100 mm

Purchase order data

Type	Order No.
Rubber bellows only	66503
with dismountable plates, G1/2 air inlet	66507

Additional types on request

Technical data

Min. pressure	0 bar
Return force to min height	≤ 290 N
Overall weight	3.1 kg

Vibration isolation - dynamic characteristic values

Design height H: recommended 100mm, minimum 75mm

Pressure p [bar]	3	4	5	6	7	8	Vol. V [l]
Force (Load) [kN]	5.3	7.2	9.1	11.1	13.2	15.3	
Spring rate [N/mm]	204	261	318	375.5	432	491.5	
Natural frequency [Hz]	3.1	3.0	2.9	2.9	2.9	2.8	

Pneumatic application - static characteristic values

Force F [kN]

Pressure p [bar]	3	4	5	6	7	8	Vol. V [l]
Height H [mm]	120	3.57	4.94	6.38	7.81	9.37	
	100	5.28	7.15	9.13	11.1	13.2	1.8
	80	7.09	9.49	12	14.6	17.3	1.4
	60	8.71	11.6	14.6	17.6	20.7	0.84


 Service instructions
 M10: max. 25 Nm
 G1/2: max. 25 Nm