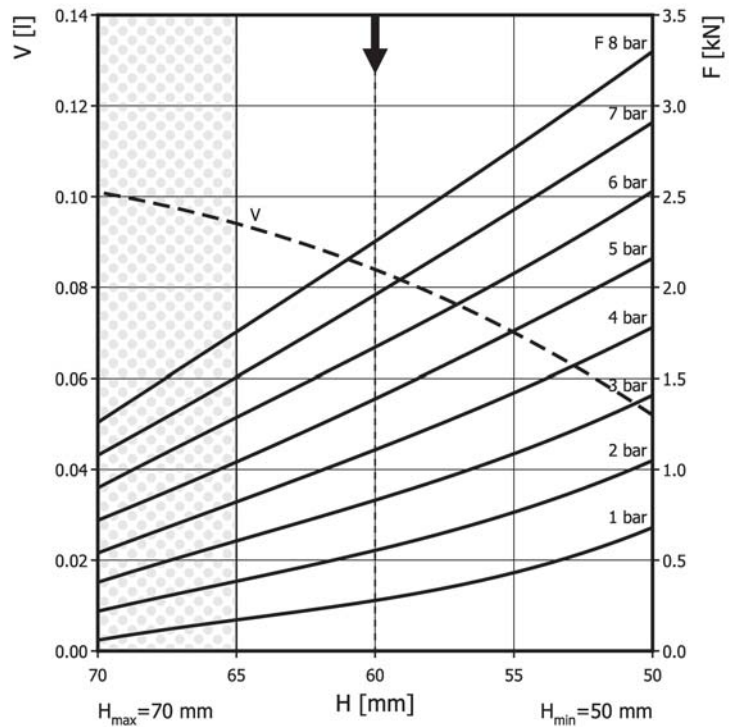
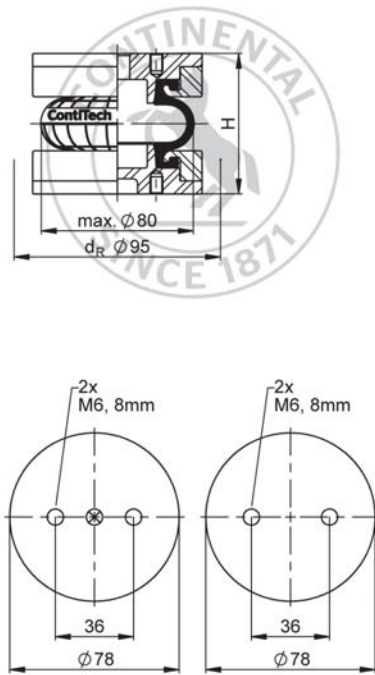


FS 22-3 DI CR

Single Convolution Air Actuator



Use in dotted range >65 mm only after consultation with ContiTech



Recommended height for vibration isolation: 60 mm

Purchase order data

Type	Order No.
Rubber bellows only	69235
CR-Rubber bellows, with dismountable aluminium plates, G1/4 air inlet	69342

Additional types on request


 Service instructions
 G1/4: max. 15 Nm

Technical data

Min. pressure	0 bar
Return force to min height	≤ 400 N
Overall weight	0.45 kg

Vibration isolation - dynamic characteristic values

Design height H: recommended 60mm, minimum 55mm

Pressure p [bar]	3	4	5	6	7	8	Vol. V [l]
Force (Load) [kN]	0.9	1.2	1.5	1.7	2	2.3	
Spring rate [N/mm]	84	103	123	142	162	180	
Natural frequency [Hz]	4.9	4.7	4.6	4.5	4.5	4.4	

Pneumatic application - static characteristic values

Force F [kN]

Pressure p [bar]	3	4	5	6	7	8	Vol. V [l]
Height H [mm]	60	0.84	1.11	1.39	1.68	1.97	
	50	1.41	1.78	2.16	2.53	2.91	3.3