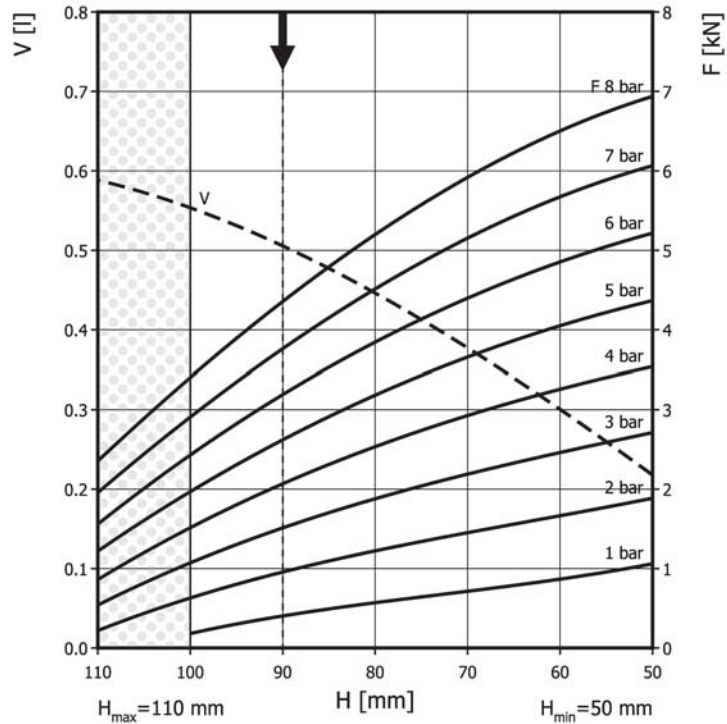
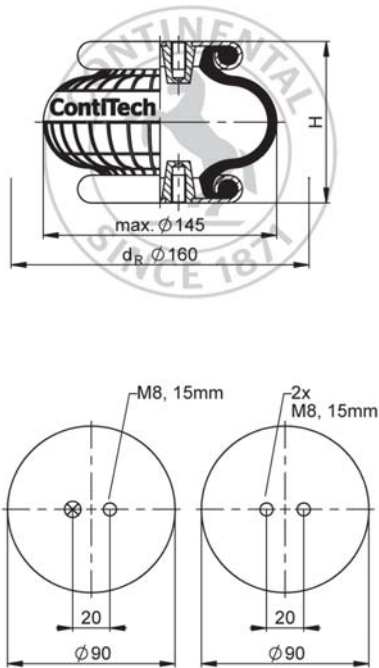


FS 40-6 CI

Single Convolution Air Actuator



Use in dotted range >100 mm only after consultation with ContiTech



Recommended height for vibration isolation: 90 mm

Purchase order data

Type	Order No.
Rubber bellows only	72467
with crimped plates, G1/8 air inlet 10 mm excentrical	2681001000
with stainless steel crimped plates, G1/8 air inlet 10 mm excentrical	61744

Additional types on request



Service instructions
M8: max. 25 Nm
G1/8: max. 25 Nm

Technical data

Min. pressure	0 bar
Return force to min height	≤ 120 N
Overall weight	1.2 kg

Vibration isolation - dynamic characteristic values

Design height H: recommended 90mm, minimum 70mm

Pressure p [bar]	3	4	5	6	7	8	Vol. V [l]
Force (Load) [kN]	1.5	2.1	2.6	3.2	3.8	4.4	
Spring rate [N/mm]	79	96.5	115	132.5	150.5	168.5	
Natural frequency [Hz]	3.6	3.4	3.3	3.2	3.1	3.1	

Pneumatic application - static characteristic values

Force F [kN]

Pressure p [bar]	3	4	5	6	7	8	Vol. V [l]	
Height H [mm]	100	1.07	1.52	1.97	2.43	2.9		3.39
	90	1.5	2.06	2.62	3.19	3.76	4.36	0.51
	80	1.88	2.54	3.19	3.85	4.52	5.21	0.45
	70	2.2	2.94	3.67	4.41	5.16	5.92	0.38
	60	2.45	3.25	4.04	4.84	5.66	6.49	0.3