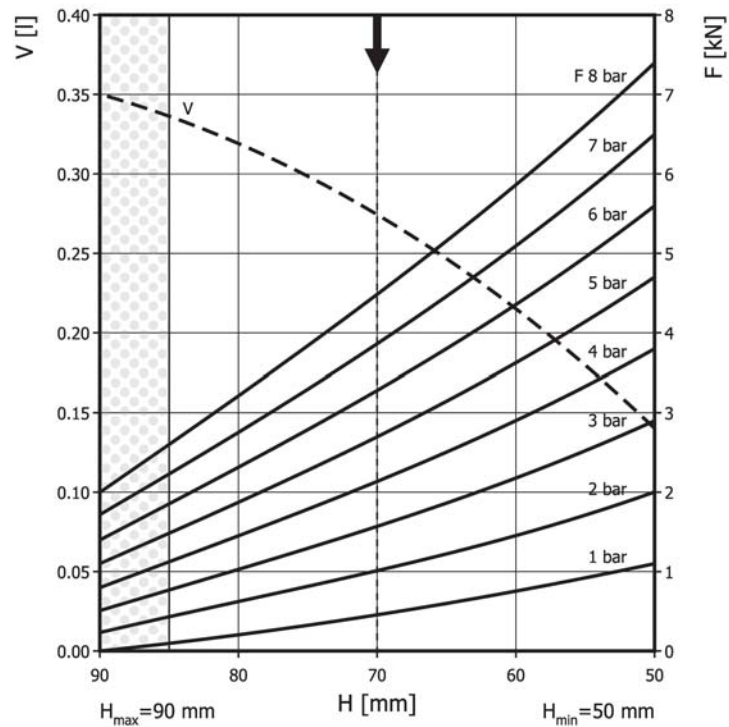
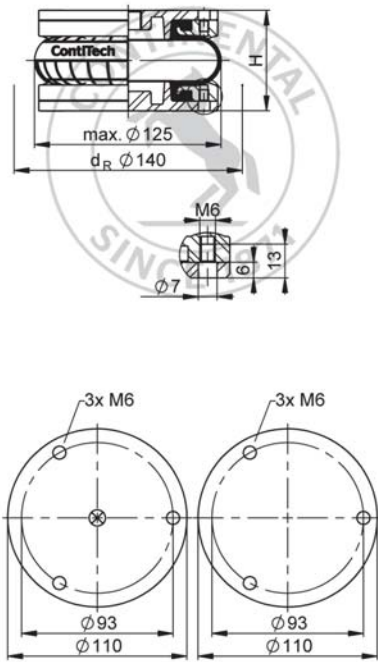


FS 44-5 DI CR

Single Convolution Air Actuator



Use in dotted range >85 mm only after consultation with ContiTech



Recommended height for vibration isolation: 70 mm

Purchase order data

Type	Order No.
Rubber bellows only	70200
CR-Rubber bellows, with dismountable aluminium plates, G3/8 air inlet	70205

Additional types on request



Service instructions
M6: max. 5 Nm
G3/8: max. 15 Nm

Technical data

Min. pressure	0 bar
Return force to min height	≤ 150 N
Overall weight	0.71 kg

Vibration isolation - dynamic characteristic values

Design height H: recommended 70mm, minimum 65mm

Pressure p [bar]	3	4	5	6	7	8	Vol. V [l]
Force (Load) [kN]	1.5	2.1	2.7	3.2	3.8	4.4	
Spring rate [N/mm]	112	141	169	198	226	253	
Natural frequency [Hz]	4.2	4.1	4.0	3.9	3.8	3.8	

Pneumatic application - static characteristic values

Force F [kN]

Pressure p [bar]	3	4	5	6	7	8	Vol. V [l]	
Height H [mm]	80	1.02	1.44	1.87	2.3	2.74		3.2
	70	1.58	2.15	2.7	3.3	3.88	4.5	0.27
	60	2.17	2.89	3.62	4.34	5.08	5.85	0.22