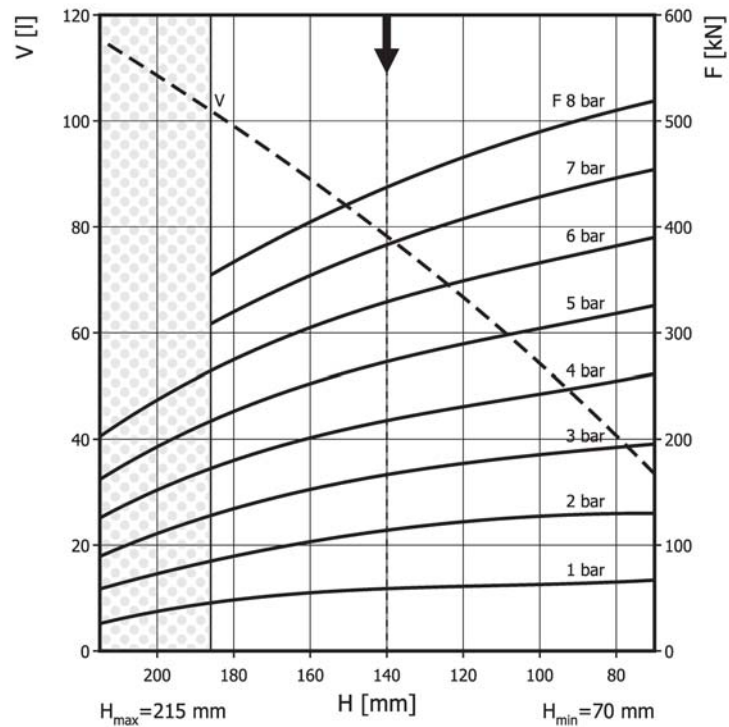
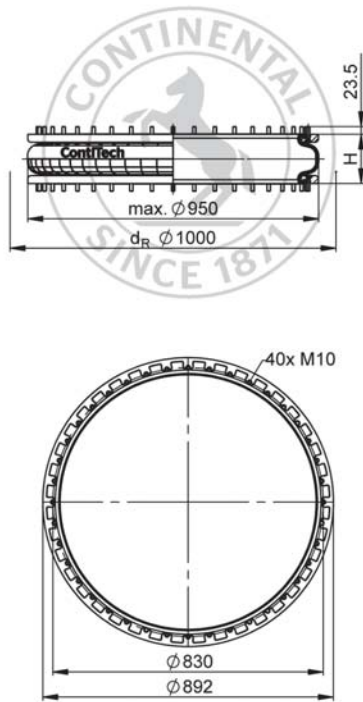


FS 5450-16 RS

Single Convolution Air Actuator



Use in dotted range >186 mm only after consultation with ContiTech



Recommended height for vibration isolation: 140 mm

Purchase order data

Type	Order No.
Rubber bellows only	61785
with bead rings, 45 mm bolts, nuts and washers	61902

Additional types on request

Technical data

Min. pressure	0 bar
Return force to min height	≤ 1500 N
Overall weight	22 kg

Vibration isolation - dynamic characteristic values

Design height H: recommended 140mm, minimum 120mm

Pressure p [bar]	3	4	5	6	7	8	Vol. V [l]
Force (Load) [kN]	162	217	272	328	383	438	
Spring rate [N/mm]	2578	3304	4015	4697	5375	6052	
Natural frequency [Hz]	2.0	2.0	1.9	1.9	1.9	1.9	

Pneumatic application - static characteristic values

Force F [kN]

Pressure p [bar]	3	4	5	6	7	8	Vol. V [l]	
Height H [mm]	180	133	180	225	275	320		366
	160	152	198	252	303	354	404	89
	140	164	217	272	328	383	438	77
	120	177	231	289	349	407	465	66
	100	188	244	306	368	430	491	55
	80	191	255	319	381	444	508	42



Service instructions
M10: max. 40 Nm