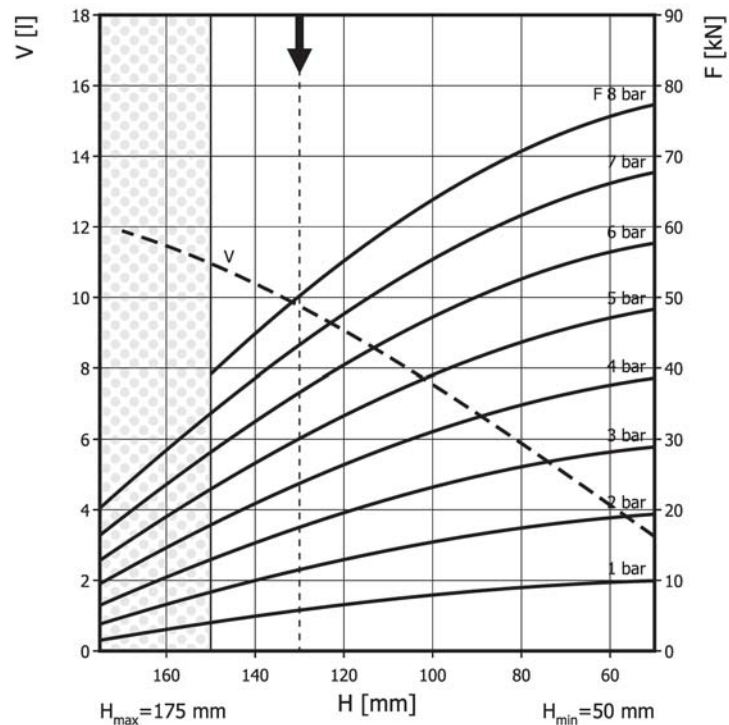
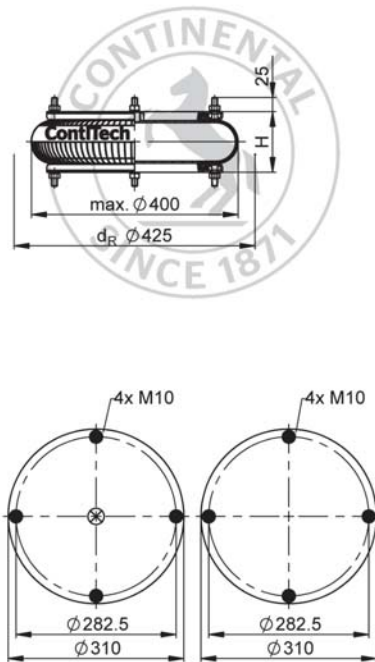


## FS 614-13 DS

## Single Convolution Air Actuator



Use in dotted range &gt;150 mm only after consultation with ContiTech



Recommended height for vibration isolation: 130 mm

## Purchase order data

Type	Order No.
Rubber bellows only	68043
with dismountable plates, G1/2 air inlet	68045

Additional types on request


 Service instructions  
 M10: max. 25 Nm  
 G1/2: max. 25 Nm

## Technical data

Min. pressure	0 bar
Return force to min height	≤ 230 N
Overall weight	7.1 kg

## Vibration isolation - dynamic characteristic values

Design height H: recommended 130mm, minimum 110mm

Pressure p [bar]	3	4	5	6	7	8	Vol. V [l]
Force (Load) [kN]	17.5	23.7	30.1	36.6	43.3	50.2	
Spring rate [N/mm]	428.5	558	684.5	804	922	1039	
Natural frequency [Hz]	2.5	2.4	2.4	2.4	2.3	2.3	

## Pneumatic application - static characteristic values

Force F [kN]

Pressure p [bar]	3	4	5	6	7	8	Vol. V [l]	
Height H [mm]	150	129	17.8	22.8	28.1	33.5		39.2
	130	17.5	23.7	30.1	36.6	43.3	50.2	9.8
	100	23.2	31.1	39	47.2	55.4	63.8	7.6
	80	26.2	34.9	43.8	52.7	61.7	70.8	5.9
	60	28.2	37.5	46.9	56.4	65.9	75.5	4.1