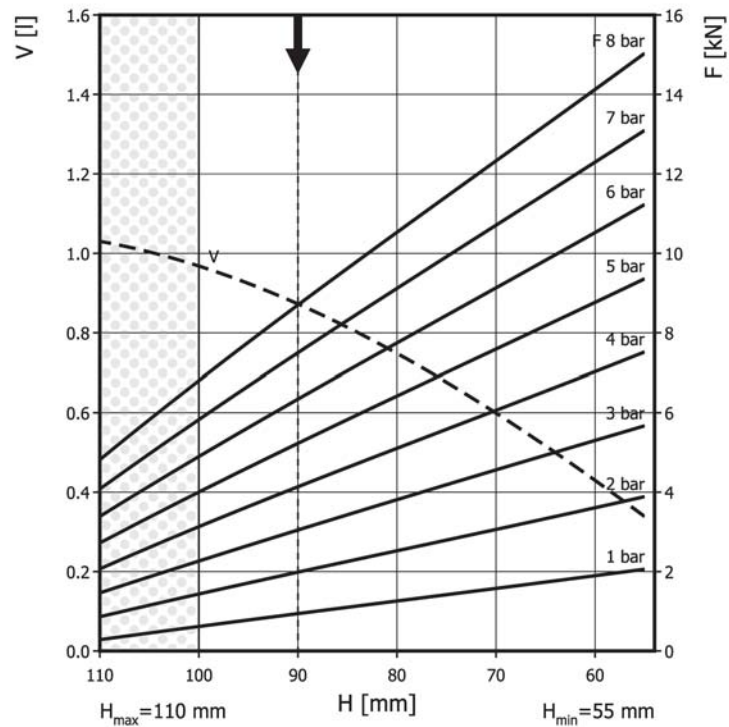
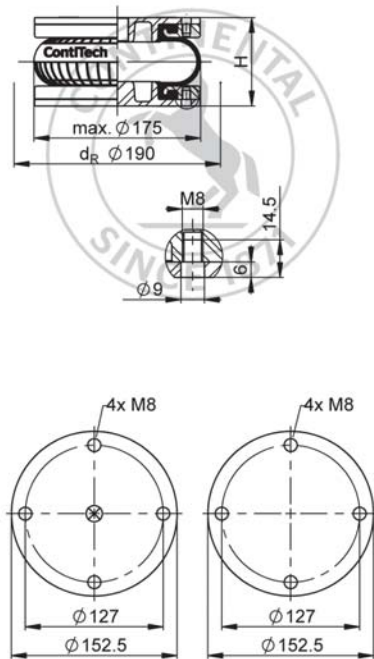


FS 76-7 DI CR

Single Convolution Air Actuator



Use in dotted range >100 mm only after consultation with ContiTech



Recommended height for vibration isolation: 90 mm

Purchase order data

Type	Order No.
Rubber bellows only	70203
CR-Rubber bellows, with dismountable aluminium plates, G1/2 air inlet	70208

Additional types on request



Service instructions
M8: max. 12 Nm
G1/2: max. 25 Nm

Technical data

Min. pressure	0 bar
Return force to min height	≤ 320 N
Overall weight	1.6 kg

Vibration isolation - dynamic characteristic values

Design height H: recommended 90mm, minimum 75mm

Pressure p [bar]	3	4	5	6	7	8	Vol. V [l]
Force (Load) [kN]	3.1	4.2	5.3	6.4	7.5	8.7	
Spring rate [N/mm]	158.5	200.5	245.5	286	331.5	374.5	
Natural frequency [Hz]	3.5	3.4	3.4	3.3	3.3	3.3	

Pneumatic application - static characteristic values

Force F [kN]

Pressure p [bar]	3	4	5	6	7	8	Vol. V [l]	
Height H [mm]	100	2.27	3.12	3.99	4.89	5.82		6.79
	90	3.05	4.15	5.25	6.35	7.51	8.72	0.87
	80	3.81	5.11	6.42	7.76	9.13	10.5	0.75
	70	4.54	6.03	7.55	9.08	10.7	12.3	0.6
	60	5.34	7.06	8.82	10.6	12.4	14.2	0.43