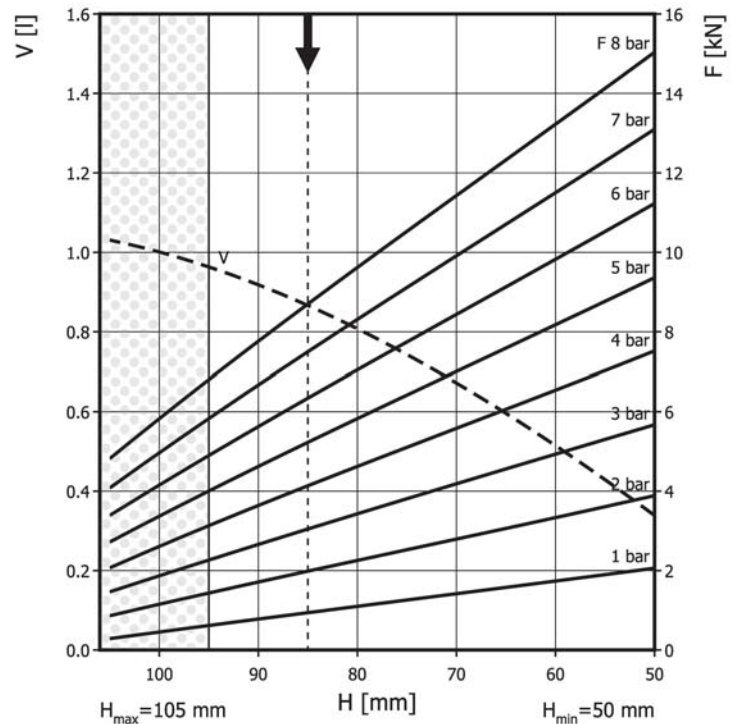
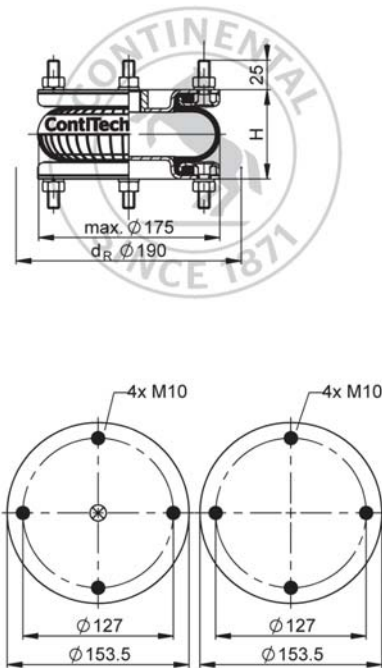


FS 76-7 DS CR

Single Convolution Air Actuator



Use in dotted range >95 mm only after consultation with ContiTech



Recommended height for vibration isolation: 85 mm

Purchase order data

Type	Order No.
Rubber bellows only	70203
CR-Rubber bellows, with dismountable plates, G1/2 air inlet	70216

Additional types on request

Technical data

Min. pressure	0 bar
Return force to min height	≤ 320 N
Overall weight	2.3 kg

Vibration isolation - dynamic characteristic values

Design height H: recommended 85mm, minimum 75mm

Pressure p [bar]	3	4	5	6	7	8	Vol. V [l]
Force (Load) [kN]	3.1	4.2	5.3	6.4	7.5	8.7	
Spring rate [N/mm]	158.5	200.5	245.5	286	331.5	374.5	
Natural frequency [Hz]	3.5	3.4	3.4	3.3	3.3	3.3	

Pneumatic application - static characteristic values

Force F [kN]

Pressure p [bar]	3	4	5	6	7	8	Vol. V [l]	
Height H [mm]	90	2.66	3.63	4.62	5.62	6.67		7.75
	80	3.43	4.63	5.84	7.05	8.32	9.63	0.8
	70	4.17	5.57	6.99	8.42	9.89	11.4	0.67
	60	4.94	6.54	8.19	9.83	11.5	13.2	0.51


 Service instructions
 M10: max. 25 Nm
 G1/2: max. 25 Nm