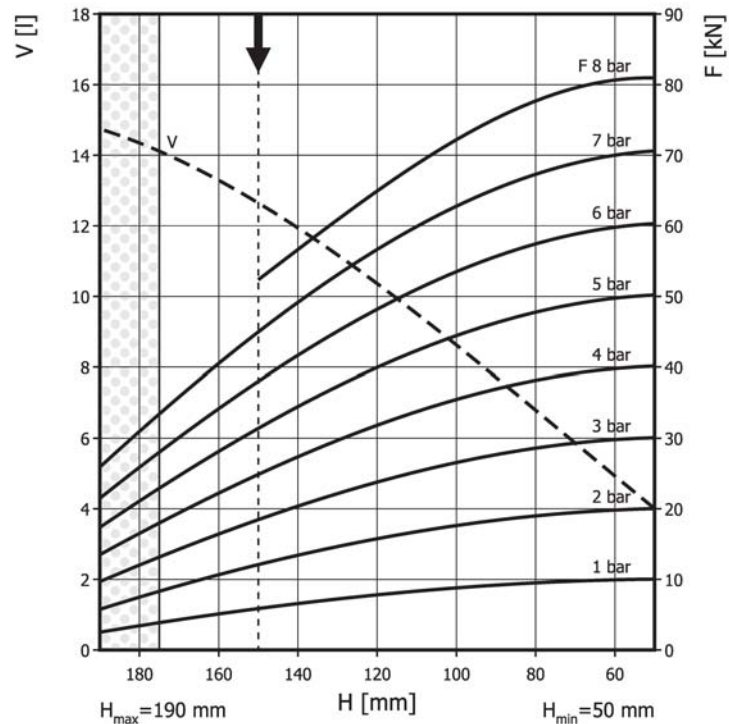
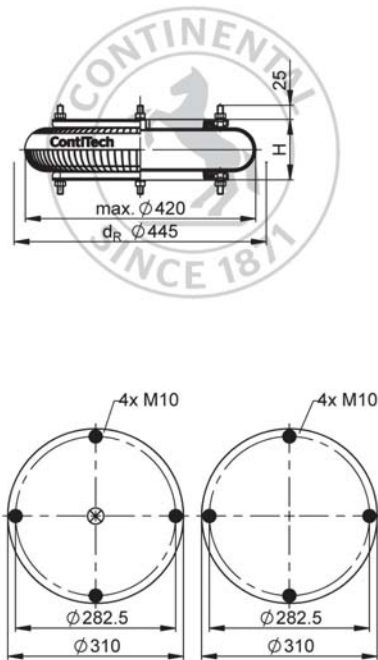


## FS 816-15 DS

## Single Convolution Air Actuator



Use in dotted range >175 mm only after consultation with ContiTech

Recommended height for vibration isolation: 150 mm

## Purchase order data

Type	Order No.
Rubber bellows only	69687
with dismantable plates, G1/2 air inlet	70043

Additional types on request

## Technical data

Min. pressure	0 bar
Return force to min height	≤ 30 N
Overall weight	7.6 kg

**Vibration isolation - dynamic characteristic values**

Design height H: recommended 150mm, minimum 130mm

Pressure p [bar]	3	4	5	6	7	8	Vol. V [l]
Force (Load) [kN]	18.9	25.3	32	38.5	45	51.3	13
Spring rate [N/mm]	382	485.5	589	692.5	796	891.5	
Natural frequency [Hz]	2.2	2.2	2.1	2.1	2.1	2.1	

**Pneumatic application - static characteristic values**

Force F [kN]

Pressure p [bar]	3	4	5	6	7	8	Vol. V [l]
Height H [mm]	170	144	196	249	304	361	14
	130	219	294	37	44.7	52.7	11
	100	265	354	44.4	53.4	62.7	8.6
	80	28.7	38.3	47.9	57.5	67.4	6.8
	60	30.1	40.1	50.1	60.2	70.5	4.9



Service instructions  
M10: max. 25 Nm  
G1/2: max. 25 Nm