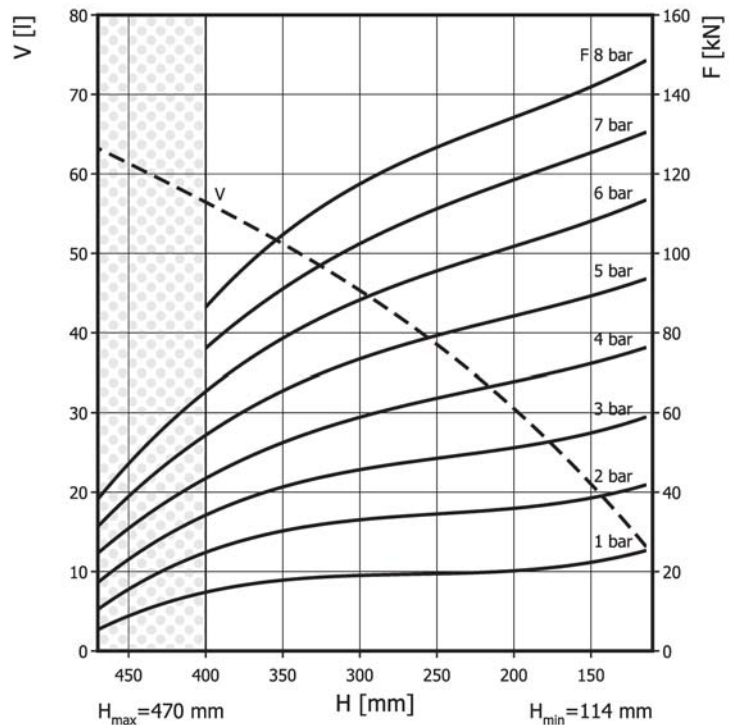
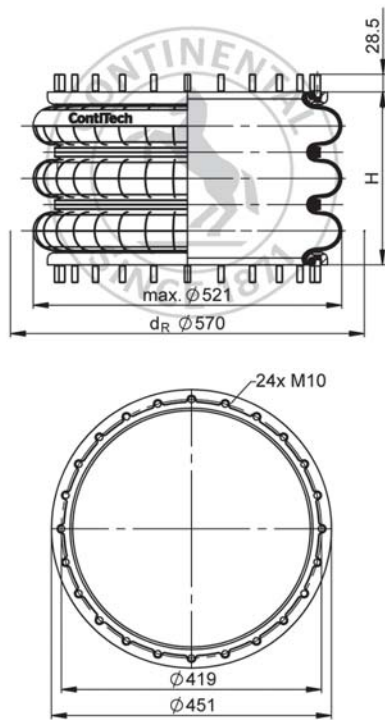


FT 1330-35 RS

Triple Convolution Air Actuator



Use in dotted range >400 mm only after consultation with ContiTech

Purchase order data

| Type | Order No. |
|--|-----------|
| Rubber bellows only | 61780 |
| with bead rings, 45 mm bolts, nuts and washers | 61910 |

Additional types on request



Service instructions
M10: max. 40 Nm

Technical data

| | |
|----------------------------|---------|
| Min. pressure | 0 bar |
| Return force to min height | ≤ 420 N |
| Overall weight | 12.5 kg |

Pneumatic application - static characteristic values

Force F [kN]

| Pressure p [bar] | 3 | 4 | 5 | 6 | 7 | 8 | Vol. V [l] | |
|------------------|-----|------|------|------|------|------|------------|----|
| Height H [mm] | 390 | 35.8 | 45.5 | 56.4 | 68.5 | 79.7 | 90.8 | 55 |
| | 350 | 41.3 | 52.7 | 65.6 | 77.8 | 90.5 | 105 | 51 |
| | 310 | 45.2 | 58 | 72.5 | 86.6 | 100 | 116 | 47 |
| | 270 | 47.3 | 62.2 | 77.5 | 93.5 | 108 | 123 | 42 |
| | 230 | 49.7 | 65.6 | 81.3 | 98.5 | 114 | 130 | 35 |
| | 190 | 51.7 | 68.1 | 84.5 | 103 | 120 | 135 | 29 |
| | 150 | 54.5 | 72.1 | 89.5 | 107 | 125 | 143 | 21 |