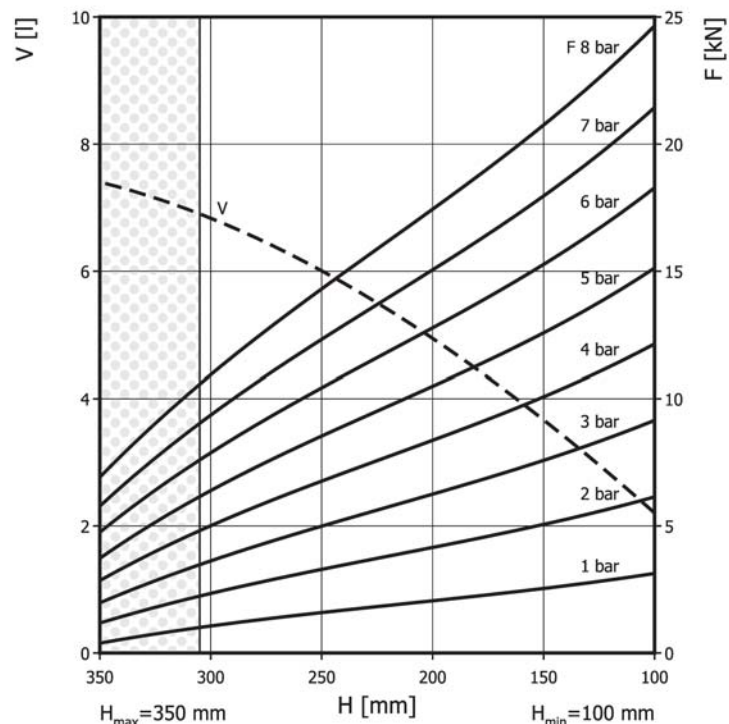
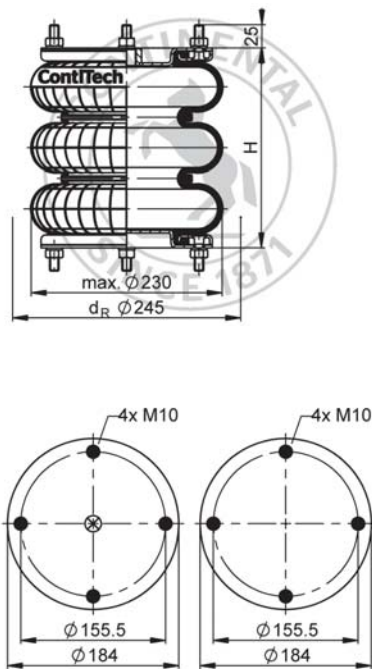


FT 138-26 DS

Triple Convolution Air Actuator



Use in dotted range >305 mm only after consultation with ContiTech

Purchase order data

Type	Order No.
Rubber bellows only	66502
with dismountable plates, G1/2 air inlet	66506

Additional types on request



Service instructions
M10: max. 25 Nm
G1/2: max. 25 Nm

Technical data

Min. pressure	0 bar
Return force to min height	≤ 350 N
Overall weight	4.2 kg

Pneumatic application - static characteristic values

Force F [kN]								
Pressure p [bar]	3	4	5	6	7	8	Vol. V [l]	
Height H [mm]	290	3.94	5.4	6.86	8.44	10	11.7	6.7
	240	5.25	7.11	8.96	10.9	12.9	14.9	5.8
	190	6.38	8.6	10.8	13.2	15.5	18	4.7
	140	8.01	10.6	13.1	15.9	18.7	21.6	3.4