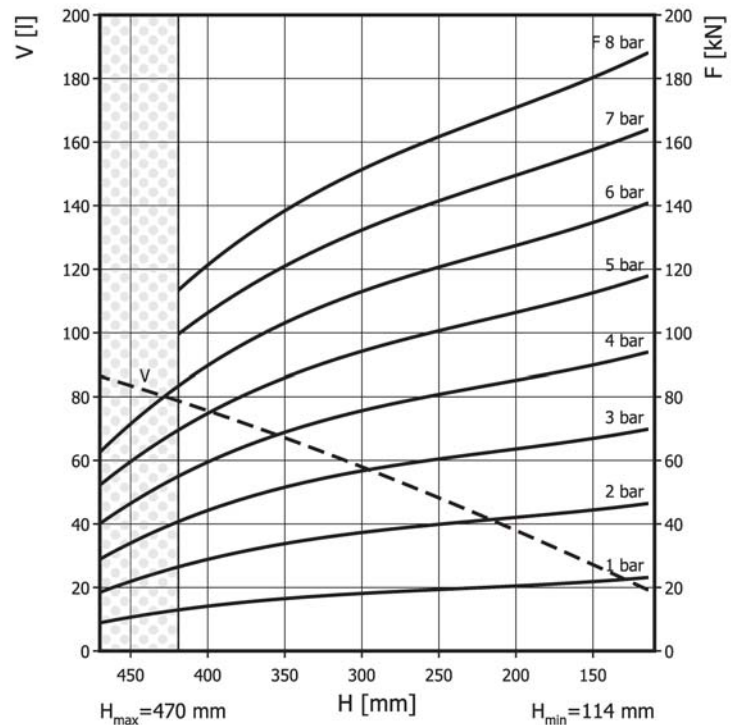
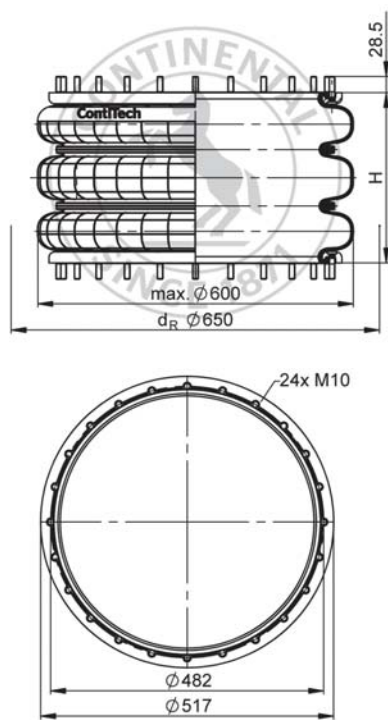


## FT 1710-38 RS

## Triple Convolution Air Actuator



Use in dotted range >419 mm only after consultation with ContiTech

## Purchase order data

Type	Order No.
Rubber bellows only	61784
with bead rings, 45 mm bolts, nuts and washers	61911

Additional types on request



Service instructions  
M10: max. 40 Nm

## Technical data

Min. pressure	0 bar
Return force to min height	≤ 400 N
Overall weight	14.5 kg

## Pneumatic application - static characteristic values

Force F [kN]

Pressure p [bar]	3	4	5	6	7	8	Vol. V [l]	
Height H [mm]	390	45.3	61.8	77.3	93.3	110	125	74
	350	51.3	68.9	85.3	103	121	139	67
	310	56.5	74	92.3	111	130	149	60
	270	59.8	78.7	98.1	118	138	158	52
	230	61.1	82.6	103	123	144	165	44
	190	63.9	86.2	108	129	151	172	36
	150	67.5	90.4	113	135	159	182	27