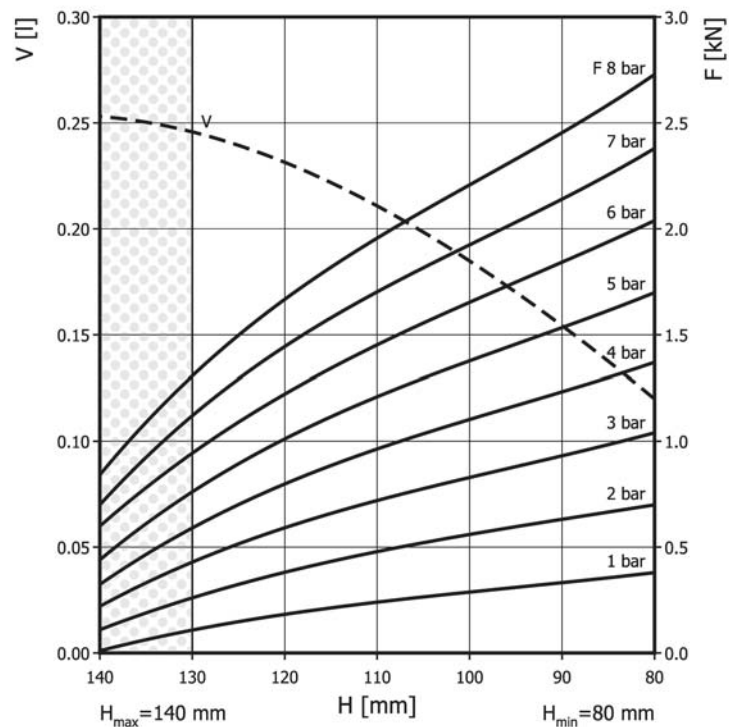
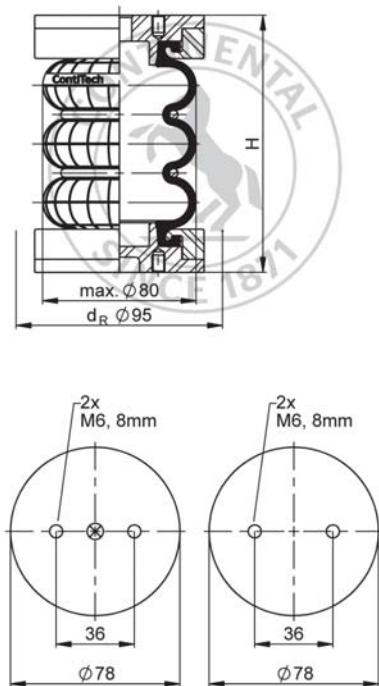


FT 22-6 DI CR

Triple Convolution Air Actuator



Use in dotted range >130 mm only after consultation with ContiTech

Purchase order data

Type	Order No.
Rubber bellows only	69236
CR-Rubber bellows, with dismountable aluminium plates, G1/4 air inlet	69320

Additional types on request



Service instructions
M6: max. 5 Nm
G1/4: max. 15 Nm

Technical data

Min. pressure	0 bar
Return force to min height	≤ 100 N
Overall weight	0.53 kg

Pneumatic application - static characteristic values

Force F [kN]

Pressure p [bar]	3	4	5	6	7	8	Vol. V [l]	
Height H [mm]	130	0.43	0.6	0.76	0.94	1.12	1.31	0.25
	110	0.72	0.96	1.21	1.46	1.71	1.96	0.21
	90	0.93	1.23	1.53	1.84	2.14	2.45	0.15